

MTP/MPO Trunk Cable

IDEAL FOR DATA CENTER HIGH DENSITY CABLING SYSTEM

Designed for data center applications requiring quick infrastructure deployment such as main, horizontal, and zone distribution areas.



MTP/MPO Trunk Cable

MTP/MPO trunk multifiber cable assemblies facilitate rapid deployment of high density backbone cabling in data centers and other high fiber environments, reducing network installation or reconfiguration time and cost. They are used to interconnect cassettes, panels or ruggedized MTP/MPO fanouts, spanning MDA, HDA and EDA zones.

Standards Compliance

- ROHS, CE (EN 50575 CPR) and ISO9001 Compliant
- EIA/TIA, Telecordia GR-326-CORE Standards
- IEC61754-7
- TIA 605-4 (FOCIS 5)
- YD/T1272.5

Features

- US Conec MTP® connector, Senko MPO Plus premium connector
- Corning Clearcurve® multimode fiber, SMF-28® Ultra optical fiber
- OS2, OM3, OM4 available
- 0.35dB elite low loss connector
- Factory terminated and tested
- Allow easy migration from 10GbE to 40GbE or 100GbE
- Pulling eyes are provided as an option to protect the fiber ends during installation

Technical Specification

Construction	Description
Fiber Count	8-144 Fibers
Fiber Mode	Single mode: OS2 9/125µm Multimode: OM4 50/125µm, OM3 50/125µm
Fiber Brand	Corning ClearCurve® multimode fiber and SMF-28® Ultra optical fiber
Connector Type	MTP Female, Male; MPO Female, Male
Connector Brand	US Conec MTP®, Senko MPO
Polarity	Type A, Type B, Type C
Cable Jacket Ratings	Plenum (OFNP) Low Smoke Zero Halogen (LSZH) Riser (PVC)
Cable Type	Bunch

Color Codes	MTP	MPO
Cable Jackets	OS2: Yellow OM4: Magenta OM3: Aqua	OS2: Yellow OM4: Magenta OM3: Aqua
Connectors	OS2: Green OM4/OM3: Aqua	OS2: Green OM4/OM3: Aqua
Boots	8 Fibers: Grey 12 Fibers: Black 24 Fibers: Red	8/12/24 Fibers: Black

Technical Specification

Physical Properties	Description
Cable Diameter*	3.0mm
Breakout Length	0.5/0.3m
Minimum Bend Radius	Single Mode: 10.0mm, Multimode: 7.5mm
Operating Temperature	-10° C to +70° C
Storage Temperature	-40° C to +85° C

* Please kindly note that the cable diameter of standard single MTP/MPO cable is 3.0mm, and as for cables with different bundles, the trunk diameter is different, as shown below.

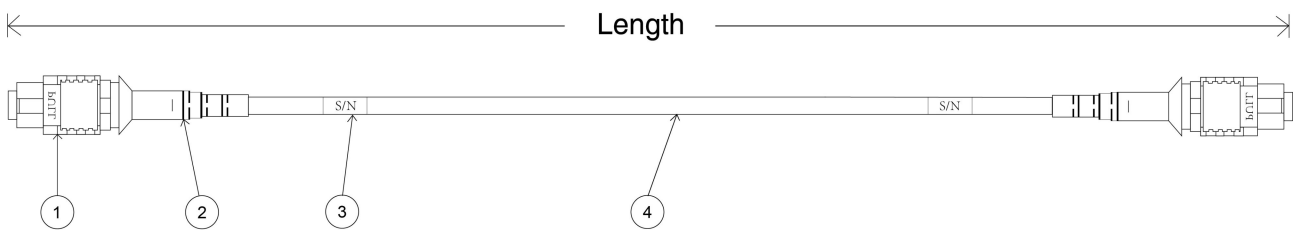
Bundle Count	MTP/MPO-12	MTP/MPO-24	Trunk Diameter
2 Bundles**	24 Fibers	48 Fibers	6.0mm
3 Bundles	36 Fibers	72 Fibers	8.0mm
4 Bundles	48 Fibers	96 Fibers	8.0mm
6 Bundles	72 Fibers	144 Fibers	8.0mm
8 Bundles	96 Fibers	/	10.0mm
12 Bundles	144 Fibers	/	10.0mm

** The "bundle" means a combination of several fibers. For example, as for MTP/MPO-12 cables, 2 bundles mean 24 Fibers(2x 12F) ; for MTP/MPO-24 cables, 2 bundles mean 48 Fibers(2x 24F).

Technical Specification

Optical Properties	Description
Attenuation (dB/km)	Single Mode: ≤ 0.32 at 1310nm, ≤ 0.18 at 1550nm Multimode: ≤ 2.3 at 850nm, ≤ 0.6 at 1300nm
Insertion Loss (dB)	Single Mode: ≤ 0.35 , Multimode: ≤ 0.35
Return Loss (dB)	Single Mode: UPC Polish: ≥ 50 , APC Polish: ≥ 60 Multimode: ≥ 20
Wavelength (nm)	Single Mode: 1310/1550, Multimode: 850/1300
Transmission Distance	OM4: 150m at 40/100G, 400m at 10G OM3: 100m at 40/100G, 300m at 10G

Technical Drawing

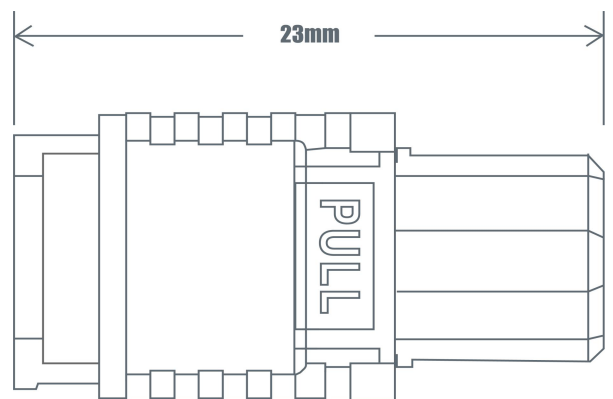
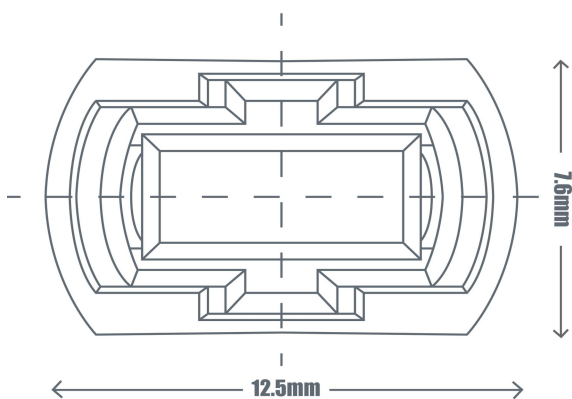


1. MTP/MPO Connector

2. Connector Boot

3. Serial Number Label

4. Cable Jacket 3.0mm OD



Fiber Optic Cleaning

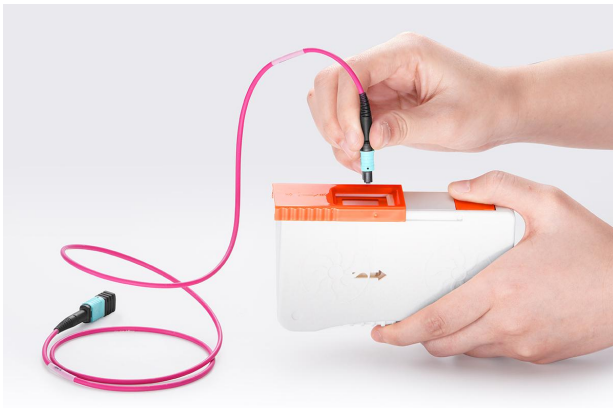
NEOCLEAN-M One-Push Cleaner



Characteristics

- For cleaning ferrules pinned or non-pinned.
- Designed for cleaning the ferrule end-faces of MTP/MPO connectors.
- Narrow design reaches tightly spaced MTP/MPO adapters.
- Cost effective tool for cleaning fiber end-faces without the use of alcohol.

CLE-BOX Fiber Optic Cassette Cleaner



Characteristics

- Made of non-alcohol superfine fiber ideal for fiber optic cleaning.
- Widely used in optical network maintenance, engineering or equipment.
- Cassette tapes are available for replacement after 500+ cleaning operations to ensure low cleaning cost.

ID	Description
#39697	NEOCLEAN-M One-Push Cleaner for MPO/MTP Connector (600 cleans)
#26388	CLE-BOX Fiber Optic Cassette Cleaner

Test Center

Comprehensive performance testing system ensures more secure operation and keeps more stable and reliable data connection. 3D interferometer provides verification of MTP/MPO polishing process, and making all parameters of the polished MT ferrule complies and exceeds industry standards. Clean optical connectors are paramount in providing a reliable, high-performance fiber optic infrastructure.

Professional Test Equipment



Test Assured Program



3D Interferometer Test



End-Face Inspection

12F MTP-MEP Trunk Cable						
Item	MTP-MEP Connector Type B					
Lot No.	G0710200003					
FW	MTP-MEP					
Manufacturer	FS					
Channel	Color	MTP-LC		MTP-LC		
		IL(dB)	RL(dB)	IL(dB)	RL(dB)	
1	Blue	0.28	27	0.22	28	
2	Orange	0.28	27	0.24	28	
3	Green	0.28	26	0.22	27	
4	Red	0.25	25	0.24	28	
5	Black	0.25	27	0.21	28	
6	White	0.22	26	0.21	26	
7	Red	0.27	26	0.21	28	
8	Black	0.28	25	0.22	28	
9	Yellow	0.28	26	0.22	27	
10	Violet	0.28	27	0.21	27	
11	Pink	0.28	28	0.24	28	
12	Blue	0.28	28	0.22	28	

Test Report of IL & RL

Hot Products

ID	Description
#68017	1m (3ft) MTP Female, 12F OM4, Type B, Elite, Plenum (OFNP)
#68041	1m (3ft) MTP Female, 24F OM4, Type A, Elite, Plenum (OFNP)
#68018	1m (3ft) MTP Female, 12F OS2, Type B, Elite, Plenum (OFNP)
#72421	1m (3ft) MTP Female, 24F OS2, Type A, Elite, Plenum (OFNP)
#66234	1m (3ft) MPO Female, 12F OM4, Type B, Elite, LSZH
#66235	1m (7ft) MPO Female, 12F OS2, Type B, Elite, LSZH



 <https://www.fs.com>



All statements, technical information, and recommendations related to the products here are based upon information believed to be reliable or accurate. However, the accuracy or completeness thereof is not guaranteed, and no responsibility is assumed for any inaccuracies. Please contact FS for more information.