

Optical Mirror Mount



Optical Mirror Mount

Contents

2 Kinematic Mirror Mount

- 2 SUS series Stainless Steel Kinematic Mirror Mount
- 4 AUS series Kinematic Mirror Mount
- 6 NMHS series Kinematic Mirror Mount
- 8 NMM series Kinematic Mirror Mount
- 11 NMV series Vertical Drive Kinematic Mirror Mount
- 13 NMVG series Vertical Drive Kinematic Mirror Mount
- 15 OMUS series Stainless Steel Kinematic Mirror Mount
- 19 OMHS General Purpose Kinematic Mirror Mount
- 24 MAD series Kinematic Mirror Adaptor
- 27 BS series Laser Beam Periscope

28 Laser Mount

- 28 LM series Laser Mount
- 30 MM series Small Industrial Kinematic Mount

31 Kinematic Lens Mount

- 31 NL series Kinematic Lens Mount
- 33 NLB series Lens Mount
- 34 OMLS series Self-Centering Lens Mount
- 35 OMLH series Lens Mount
- 36 OMLH-Z series Optical Mount for Cylindrical Lens

37 Kinematic Mount for Polarization Components

- 37 NMPO series Kinematic Mount for Polarization Components

40 Filter Wheel and Filter Mount

- 40 NF series Filter Mount
- 41 NFH series Filter Mount
- 42 OMMB-NDFC50 series Gradient ND Filter Wheel
- 43 MFW series Filter Wheel

44 Prism/Cylinder Kinematic Mount

- 44 OMHS-PM series Prism Kinematic Mount
- 45 NPM series Prism Kinematic Mount
- 46 NCM series V Clamp Kinematic Mount
- 47 NCC series V Clamp Kinematic Mount
- 48 PHLM series Cylinder Laser Tube Kinematic Mount

49 Special Kinematic Mount

- 49 OMHS series Special Kinematic Mount
- 50 OMxA Multi-Axis Kinematic Mount
- 52 MAD series Adaptors for OMxA Kinematic Mount

53 Spatial Filter

- 55 NASF-GD series Pin-hole Diaphragm
- 56 APID series Adjustable Iris Diaphragm
- 57 Holder for APID series
- 59 NOS series Optics Pack Switch
- 60 ABC series Beam Damper

61 Post and Post Holder

- 61 PHK series Post and Post Holder Package
- 62 PHSP6 series Mini Post and Post Holder
- 64 PHSP12 series Post and Post Holder
- 68 ϕ 20mm series Post and Post Holder
- 69 ϕ 25mm series Post and Post Holder
- 71 ϕ 12.7mm series Imperial Standard Post and Post Holder
- 73 PHSR38 series Mounting Post
- 76 PHCP series Crossing Post Clamp
- 77 PHUC series Swiveling Post Clamp
- 77 PHTP series Mirror Mount Seat
- 78 PHUP series Cardan Joint Base

79 Accessories

- 79 ACFS series Adjustment Screw
- 81 NAT series Alignment Disk
- 82 NAD series Alignment Disk
- 83 NxB series Aluminum Protective Screens
- 84 RAOB series Optical Rail
- 85 RACA series Sliding Carriers
- 86 RAOB-M series Miniature Optical Rail System
- 87 BP series Base Plate
- 92 PHOB series Right-Angle Brackets
- 95 ACCA/ACCF series Table Clamp
- 96 ACS series Post Connection Screw

SUS series Stainless Steel Kinematic Mirror Mount

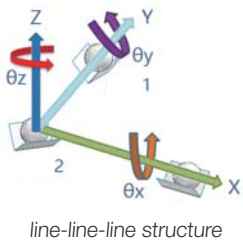


Brief Introduction:

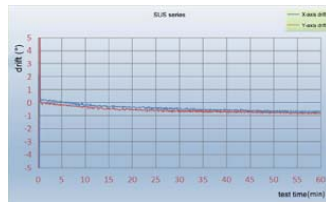
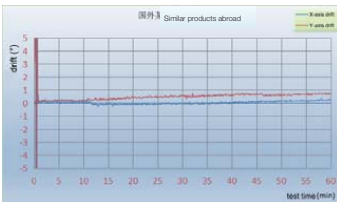
SUS series are specially designed high stability kinematic mounts, for the requirements which need both space and thermal stability.

Features:

- High-quality materials: Main body is made of heat treated No.304 stainless steel, which effectively reduces the thermal expansion coefficient and internal stress, and improves the stability. Suit for vacuum and high power laser cavity applications (Note: Special vacuum grease should be used when vacuum is need).
- High stability:
 - ① Different from the traditional point-line-surface structure, better line-line-line structure is used, which has higher adjustment accuracy.
 - ② Increase the thickness of the fixed plate, for higher rigidity and stability.
 - ③ The design of four-pull spring enhances the pulling force and makes the distribution of the pulling force more uniform.
 - ④ Hard steel sheet is used on the top surface of the screw pair, which has smoother adjusting performance.
- High sensitivity: 3 pcs 0.2 mm pitch super-fine thread pairs for 3D adjustment, for higher sensitivity.
- Dual fixing method: One locking method is specially designed elastic ring, which can avoid the lens deformation by the locking screws or rigid fixing. Improve the stability of the optical path. Or you can take off the elastic ring, using the side elastic plate fix the lens.
- Dual locking method: In addition to the thread pair come with locking mechanism, the front and rear plates are designed with locking threaded holes.
- Dual adjustment method: Adjusting thread pair come with inner-hexagonal adjusting hole behind. Can coupled with standard thumb wheel or Inner hexagon spanner, for better adjustment sensitivity and also larger angle range.
- Universal mounting holes: M4, M6 screw holes.



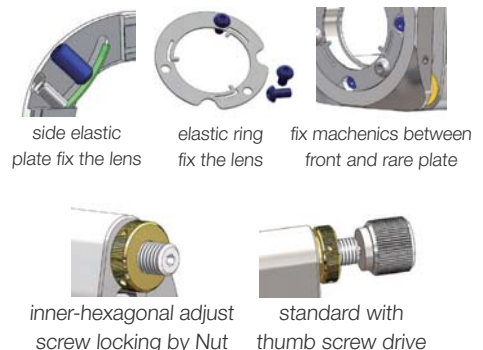
Compared with the stability curves of similar products abroad



Selection Table

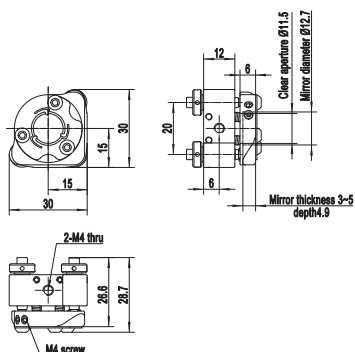
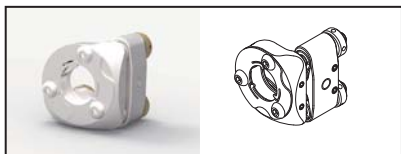
Model	SUS12.7	SUS20	SUS25.4	SUS38.1	SUS50.8
Optic Size (mm)	φ 12.5/ φ 12.7	φ 20	φ 25/ φ 25.4	φ 38.1	φ 50/ φ 50.8
Optics Thickness (mm)	3~5	3~6	3~6	3~6	4~8
Adjustment Angle Range (°)	±3				
Front Plate Translation (mm)	MAX6				
Clear Aperture (mm)	φ 11.5	φ 18.5	φ 24	φ 36.5	φ 48.5
Optic Center Height (mm)	15	25	25	30	35
One Round of Screw Drive vs Angle Adjusted (°)	≈0.57	≈0.33	≈0.33	≈0.25	≈0.21
Main Body Material and Treatment	stainless steel with sandblasting passivation				
Thickness of The Fixed Plate(mm)	12	16			
Number of Pulling Spring	4				
Locking Mechanics	Yes	Yes, Dual Locking Method			
Mounting Hole	M4	M6, φ 8 sink hole			
Net Weight(g)	75	240	230	290	360

Details display:

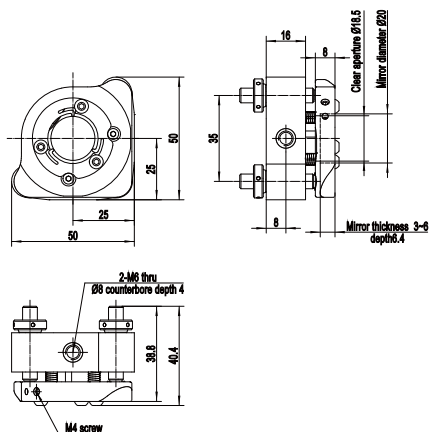
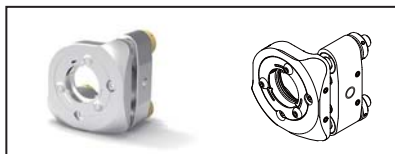


Dimensions:

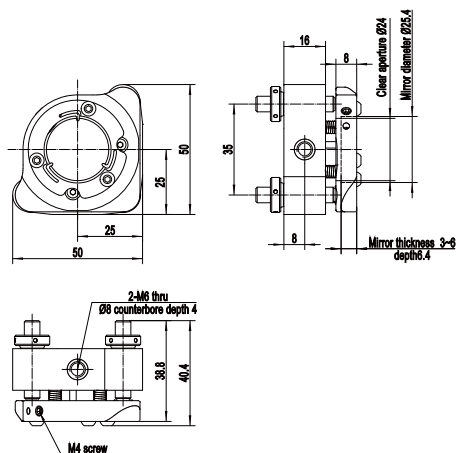
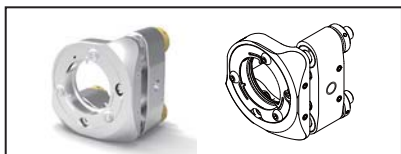
SUS12.7



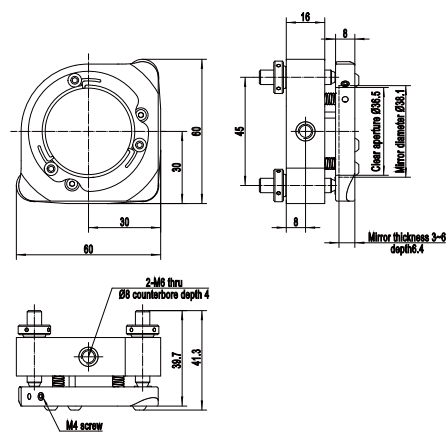
SUS20



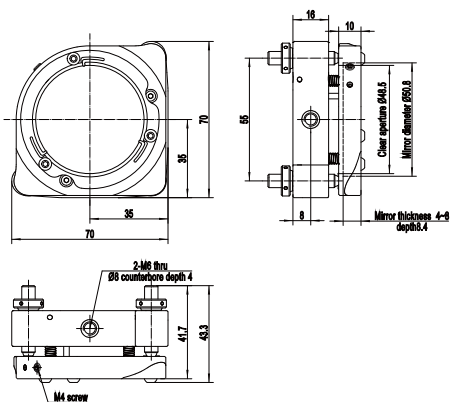
SUS25.4



SUS38.1



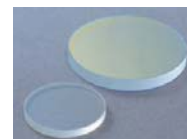
SUS50.8



Related Products:



Mirrors with coating



Beam Splitter



Connecting Accessories

AUS series Kinematic Mirror Mount

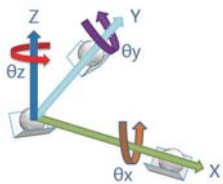


Brief Introduction

AUS series kinematic mirror mounts, with high sensitivity and high stability.

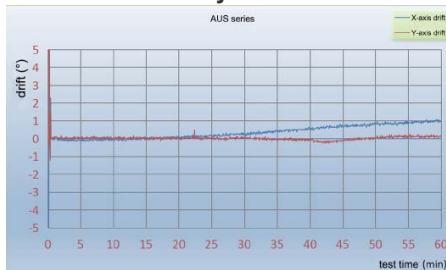
Features:

- High-quality materials: The main body is made of high-quality aluminium alloy, and the surface treated by black anodic oxidation.
- High stability:
 - ① Different from the traditional point-line-surface structure, better line-line-line structure is used, which has higher adjustment accuracy.
 - ② Increase the thickness of the fixed plate, for higher rigidity and stability.
 - ③ The design of four-pull spring enhances the pulling force and makes the distribution of the pulling force more uniform.
 - ④ Hard steel sheet is used on the top surface of the screw pair, which has smoother adjusting performance.
- High sensitivity: 3 pcs 0.2 mm pitch super-fine thread pairs for 3D adjustment, for higher sensitivity
- Dual fixing method : One locking method is specially designed elastic ring , which can avoid the lens deformation by the locking screws or rigid fixing. Improve the stability of the optical path. Or you can take off the elastic ring, using the side elastic plate fix the lens.
- Dual locking method: In addition to the thread pair come with locking mechanism, the front and rear plates are designed with locking threaded holes.
- Dual adjustment method: Adjusting thread pair come with inner-hexagonal adjusting hole behind. can coupled with standard thumb wheel or Inner hexagon spanner, for better adjustment sensitivity and also larger angle range.
- Universal mounting holes: with both M4, M6 screw holes



line-line-line structure

AUS series Stability Test Data



Details Display

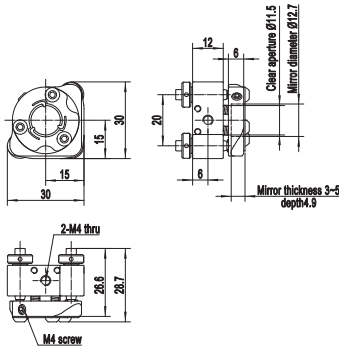


Selection Table:

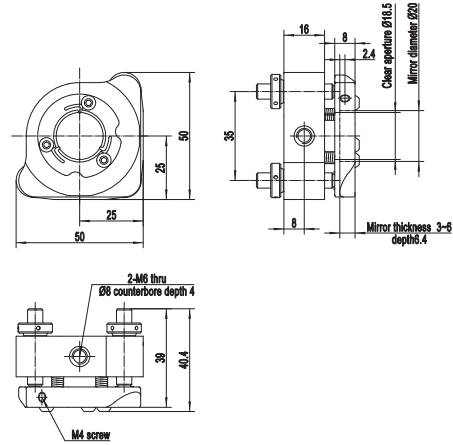
Model	AUS12.7	AUS20	AUS25.4	AUS38.1	AUS50.8
Optic Size(mm)	φ 12.5/ φ 12.7	φ 20	φ 25/ φ 25.4	φ 38.1	φ 50/ φ 50.8
Optics Thickness(mm)	3~5	3~6	3~6	3~6	4~8
Adjustment Angle Range(°)	± 3				
Front Plate Translation(mm)	MAX6				
Clear Aperture (mm)	φ 11.5	φ 18.5	φ 24	φ 36.5	φ 48.5
Optic Center Height (mm)	15	25	25	30	35
One Round of Screw Drive vs Angle Adjusted (°)	≈0.57	≈0.33	≈0.33	≈0.25	≈0.21
Main Body Material and Treatment	aluminium alloy, surface treated by black anodic oxidation.				
Thickness of The Fixed Plate(mm)	12	16			
Number of Pulling Spring	4				
Locking Mechanics	Yes				
Mounting Hole	M4	M4 M6, φ 8 sink hole			
Net Weight(g)	42	132	130	144	180

Dimensions:

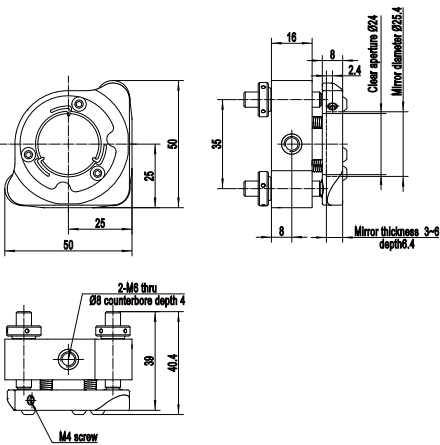
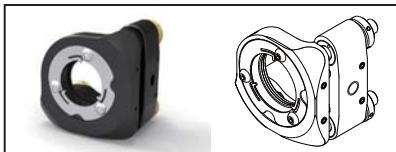
AUS12.7



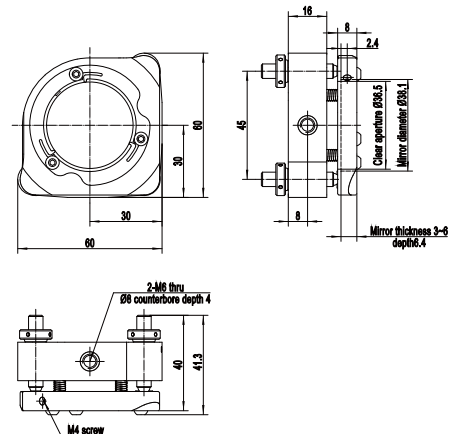
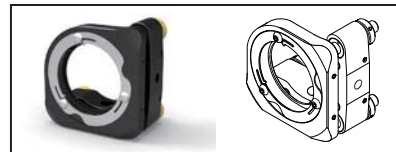
AUS20



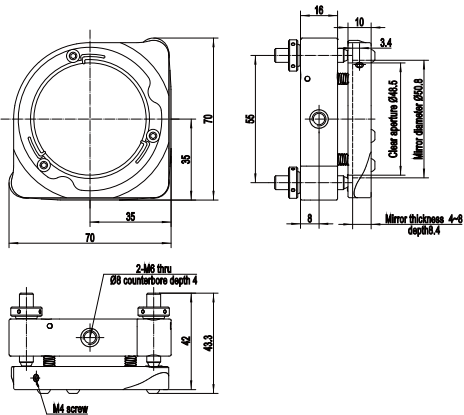
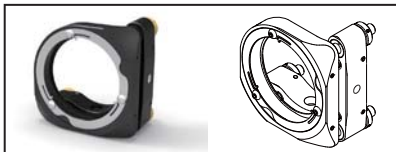
AUS25.4



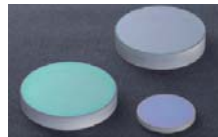
AUS38.1



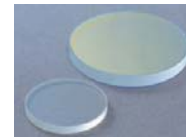
AUS50.8



Related Products:



Mirrors with coating



Beamsplitter



Connecting Accessories



NMHS series Kinematic Mirror Mount



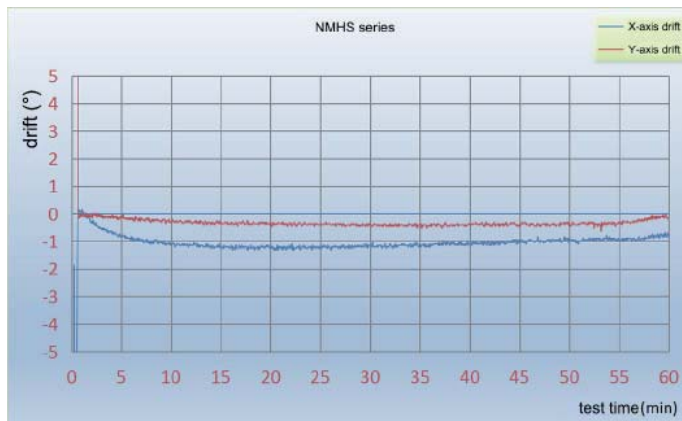
Brief Introduction:

NMHS series is in the N series new designed kinematic mirror mounts, less thickness in fixed plate while keeping enough stability, optic size cover 12.7-50.8mm

Features:

- High-quality materials: The main body is made of high-quality aluminium alloy, and the surface treated by black anodic oxidation.
- Advanced structure:
 - ① Lightweight design, compact and durable
 - ② The design of four-pull spring enhances the pulling force and makes the distribution of the pulling force more uniform.
- High sensitivity: 3 pcs 0.2 mm pitch super-fine thread pairs for 3D adjustment, for higher sensitivity
- Dual adjustment method: Adjusting thread pair come with inner-hexagonal adjusting hole behind. Can coupled with standard thumb wheel or Inner hexagon spanner, for better adjustment sensitivity and also larger angle range.
- Universal mounting holes: M4, M6 screw holes

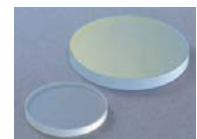
NMHS Stability Test Curve



Related Products:



Mirrors with coating



Beamsplitter



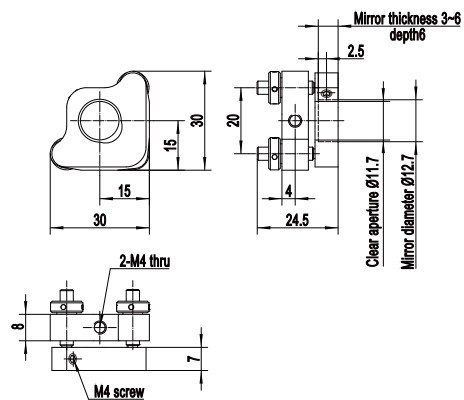
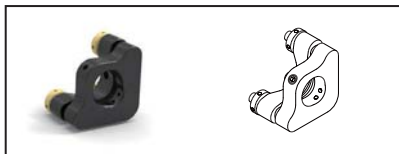
Connecting Accessories

Selection Table:

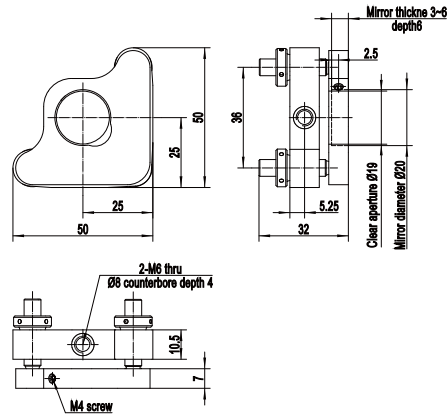
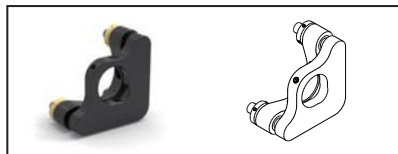
Model	NMHS12.7	NMHS20	NMHS25.4	NMHS30	NMHS38.1	NMHS50.8
Optic Size (mm)	φ 12.5/ φ 12.7	φ 20	φ 25/ φ 25.4	φ 30	φ 38.1	φ 50/ φ 50.8
Optics Thickness (mm)	3~6	3~6	3~6	3~6	3~6	4~10
Adjustment Angle Range (°)	±3					
Front Plate Translation (mm)	MAX6					
Clear Aperture (mm)	φ 11.7	φ 19	φ 24	φ 28	φ 36	φ 49
Optic Center Height (mm)	15	25	25	25	30	35
One Round of Screw Drive vs Angle Adjusted (°)	≈0.57	≈0.33	≈0.33	≈0.33	≈0.25	≈0.2
Main Body Material and Treatment	aluminium alloy, surface treated by black anodic oxidation.					
Thickness of The Fixed Plate(mm)	8	10.5	10.5	10.5	10.5	10.5
Number of Pulling Spring	4					
Locking Mechanics	Yes					
Mounting Hole	M4	M6, sink hole φ 8				
Net Weight(g)	35	95	90	85	100	125

Dimensions:

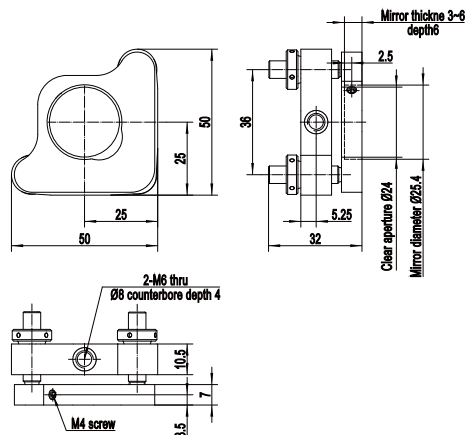
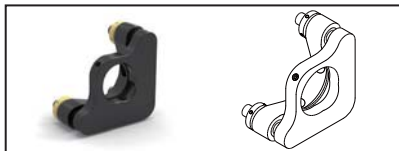
NMHS12.7



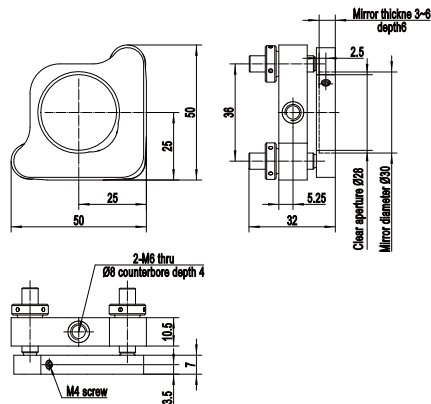
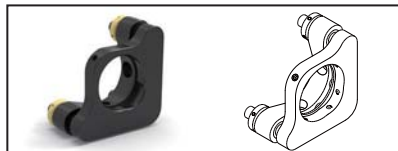
NMHS20



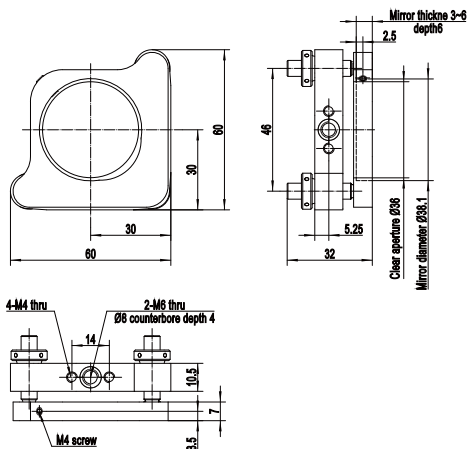
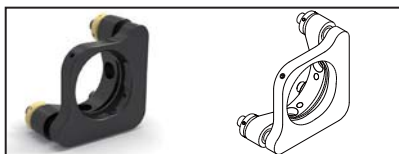
NMHS25.4



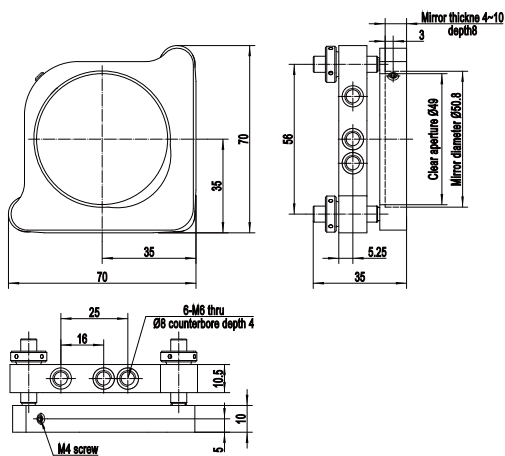
NMHS30



NMHS38.1



NMHS50.8



NMM series Kinematic Mirror Mount

AL 2024 2-Axes 0.25mm Pitch



Brief Introduction:

NMM series is the kinematic mirror mounts for small round optics, come with 28.5 small series and 20 ultra small series, suit for the optics adjustment within very compact space.

Features:

- High-quality materials: The main body is made of high-quality aluminium alloy, and the surface treated by black anodic oxidation.
- Advanced compact structure :
 - ① The design of four-pull spring enhances the pulling force and makes the distribution of the pulling force more uniform.
 - ② Come with 28.5mm small series and 20mm ultra small series, suit for the optics adjustment within very compact space.
- High sensitivity: Come with 0.25 mm pitch super-fine thread pairs for 2D adjustment, for higher sensitivity
- Easy adjustment : Adjusting thread pair come with inner-hexagonal adjusting hole behind. Can coupled with standard thumb wheel or Inner hexagon spanner, for better adjustment sensitivity and also larger angle range.

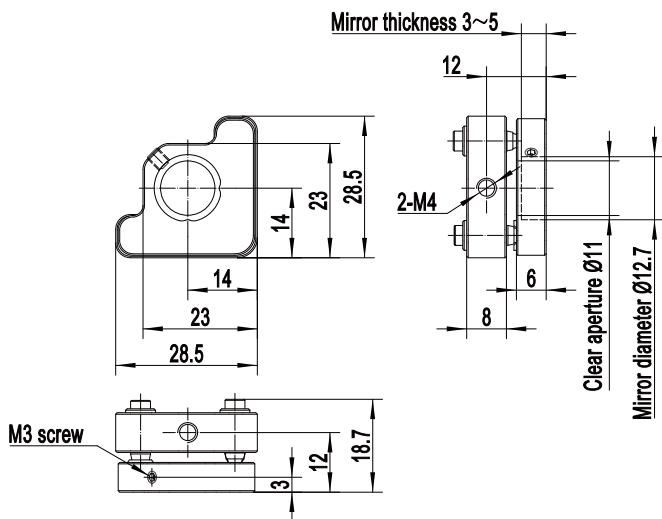
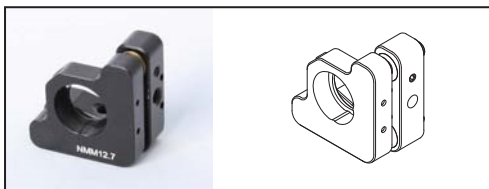
Selection Table:

Model	NMM12.7	NMM12.7-B	NMM12.7-C	NMM12.7-D
Optic Size (mm)	φ 12.5/ φ 12.7			
Optics Thickness (mm)	3~5			
Adjustment Angle Range (°)	± 3			
Clear Aperture (mm)	φ 11	φ 11	φ 11	φ 7/ φ 11
Optic Center Height (mm)	14			
One Round of Screw Drive vs Angle Adjusted (°)	≈0.75			
Main Body Material and Treatment	aluminium alloy, surface treated by black anodic oxidation.			
Thickness of The Fixed Plate(mm)	8	8	8	9
Number of Pulling Spring	4	4	4	3
Mounting Hole	M4	M4	M4	M4, φ 6sink hole
Net Weight (g)	20			

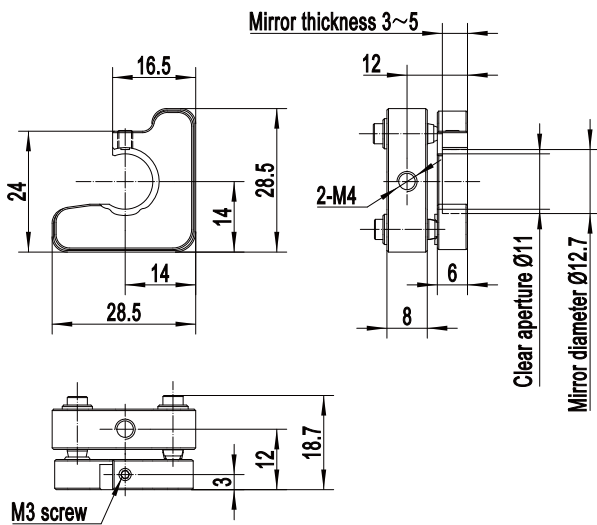
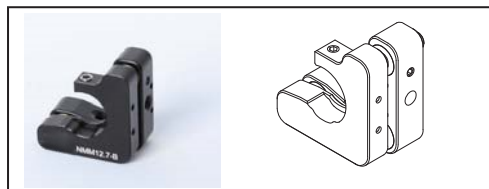
Model	NMM8m	NMM10m	NMM12.7m
Optic Size (mm)	φ 8	φ 10	φ 12.5/ φ 12.7
Optics Thickness (mm)	2~4	2~4	2~4
Adjustment Angle Range (°)	± 3		
Clear Aperture (mm)	φ 7	φ 9	φ 11.7
Optic Center Height (mm)	10		
One Round of Screw Drive vs Angle Adjusted (°)	≈0.975		
Main Body Material and Treatment	aluminium alloy, surface treated by black anodic oxidation.		
Thickness of The Fixed Plate(mm)	6		
Number of Pulling Spring	4		
Locking Mechanics	Yes		
Mounting Hole M4 M6, φ 8 Sink Hole	M4		
Net Weight (g)	10		

Dimensions:

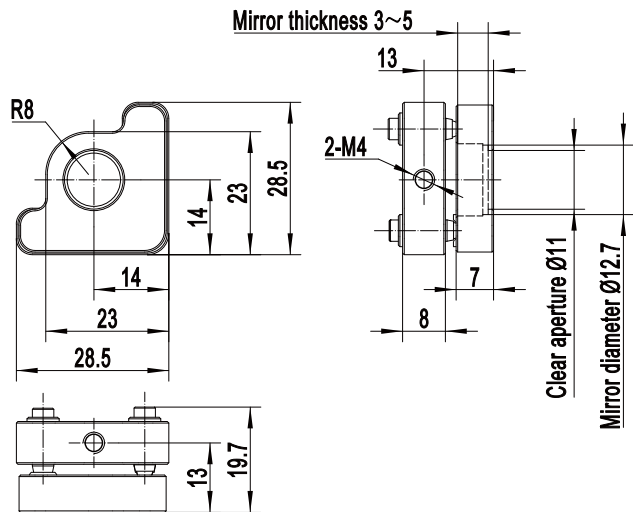
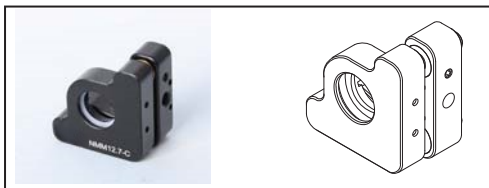
NMM12.7



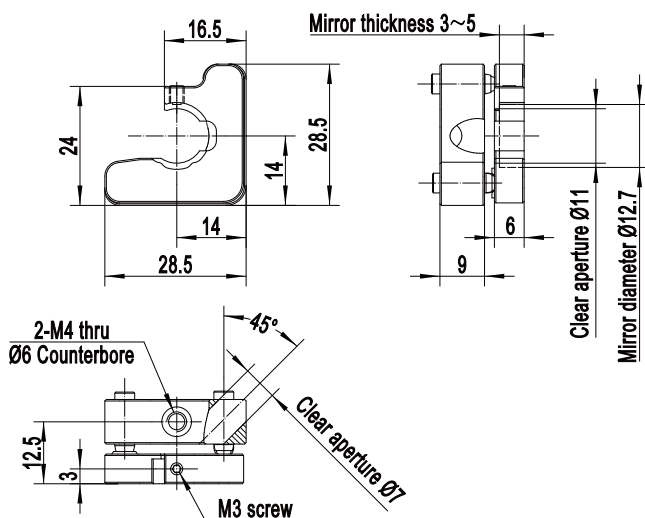
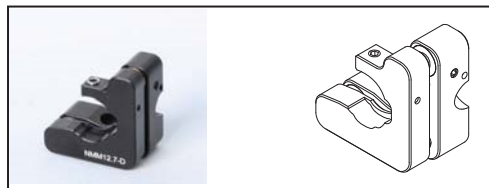
NMM12.7-B



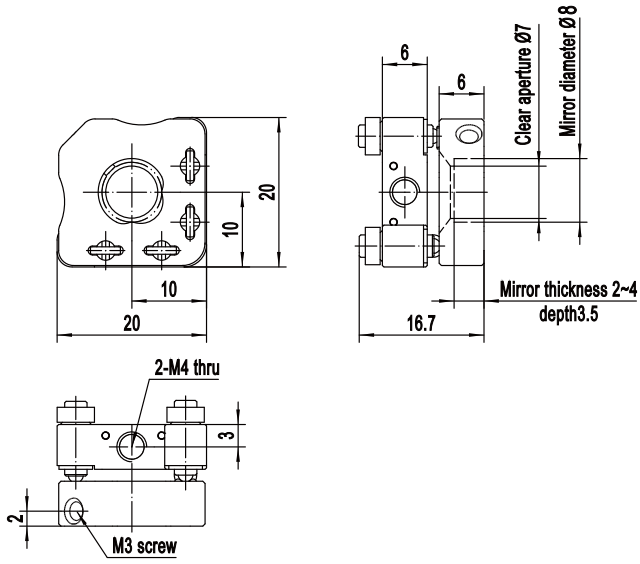
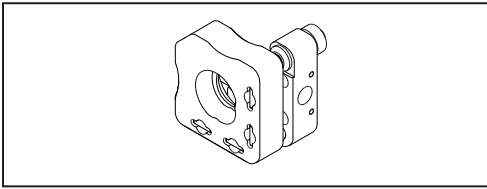
NMM12.7-C



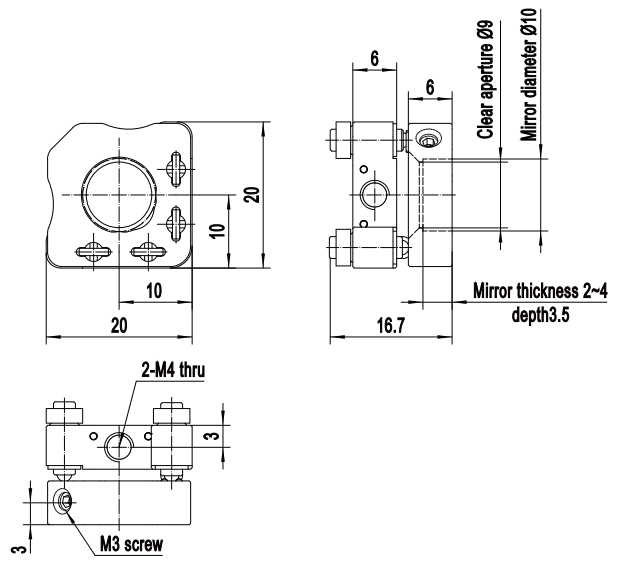
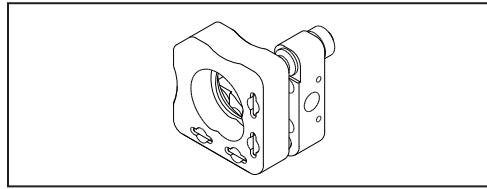
NMM12.7-D



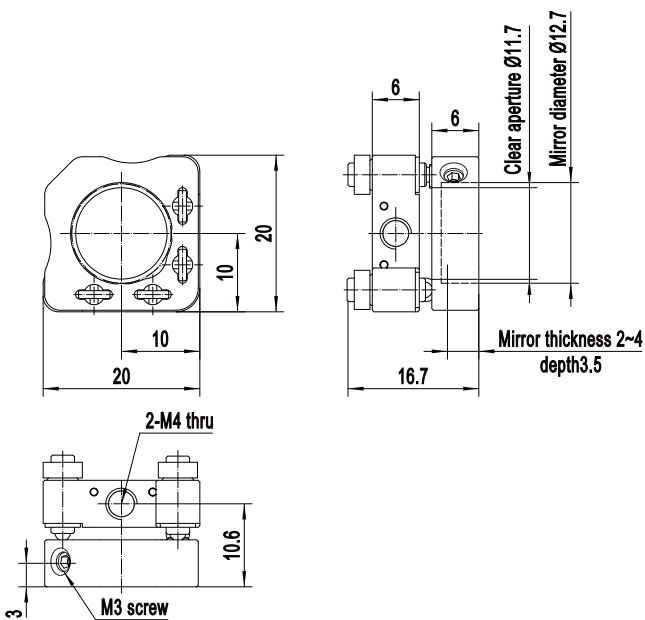
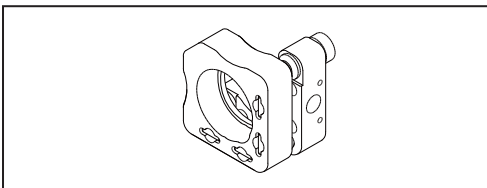
NMM8m



NMM10m



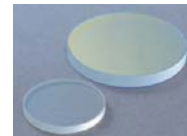
NMM12.7m



Related Products



Mirrors with coating



Beamsplitter



Connecting Accessories

NMV series Vertical Drive Kinematic Mirror Mount



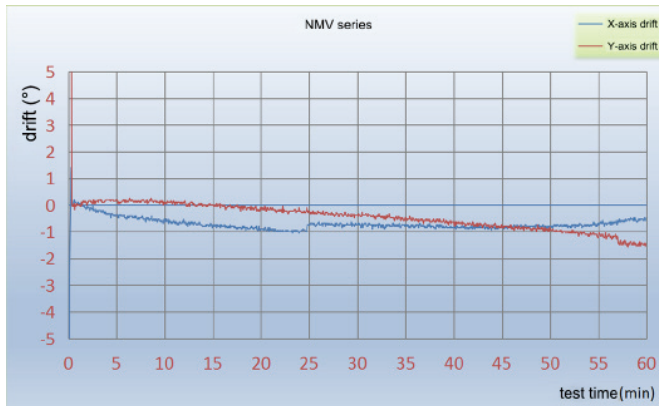
Brief Introduction:

NMV series is in the N series new designed kinematic mirror mounts, with adjustment thumb wheel on the top, so the full thickness can be smaller, saving the space. During the tuning, also avoid the finger block the optical path. optic size cover 12.7-50.8mm, suitable for adjustments space are limited

Features:

- High-quality materials: The main body is made of high-quality aluminium alloy, and the surface treated by black anodic oxidation.
- Advanced structure:
 - ① With adjustment thumb wheel on the top, during the tuning, also avoid the finger block the optical path.
 - ② Less thickness saving the space
 - ③ Fine calculated 3 pulling spring's pulling force, more stable structure and uniform in pulling force
- High sensitivity: 2 pcs 0.2 mm pitch super-fine thread pairs for 2D adjustment, for higher sensitivity
- Universal mounting holes: M4, M6 screw holes

NMV series Stability Test Data

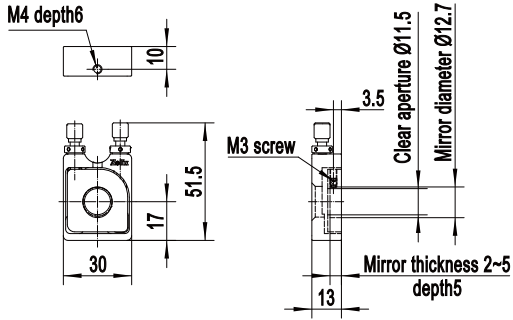


Selection Table:

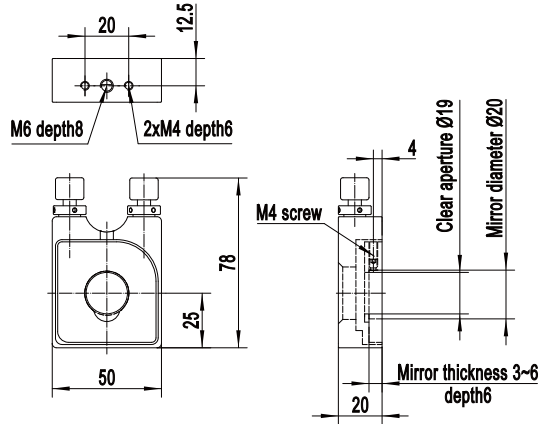
Model	NMV12.7	NMV20	NMV25.4	NMV38.1	NMV50.8
Optic Size (mm)	φ 12.5/ φ 12.7	φ 20	φ 25/ φ 25.4	φ 38.1	φ 50/ φ 50.8
Optics Thickness (mm)	2~5	3~6			
Adjustment Angle Range (°)	±3				
Clear Aperture (mm)	φ 11.5	φ 19	φ 23.5	φ 36.5	φ 47
Optic Center Height (mm)	17	25	25	32	35
Overall Thickness (mm)	13	20	20	20	22
One Round of Screw Drive vs Angle Adjusted (°)	Tilt: ≈0.55 Tilt: ≈0.57	Tilt: ≈0.35 Tilt: ≈0.34	Tilt: ≈0.35 Tilt: ≈0.34	Tilt: 0.31 Tilt: 0.26	Tilt: ≈0.28 Tilt: ≈0.22
Main Body Material and Treatment	aluminium alloy, surface treated by black anodic oxidation.				
Number of Pulling Spring	3				
Locking Mechanics	Yes				
Mounting Hole	M4	M6, 2pcsM4			
Net Weight (g)	40	160	150	180	220

Dimensions:

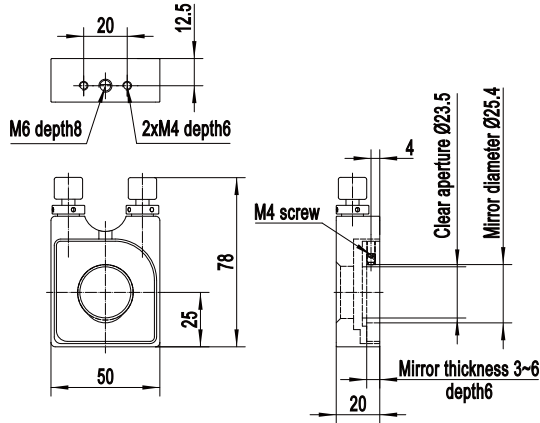
NMV12.7



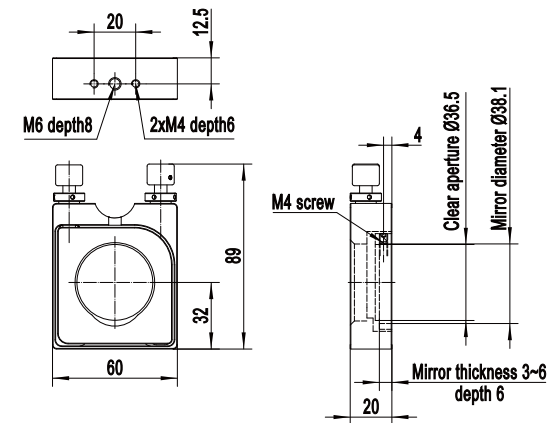
NMV20



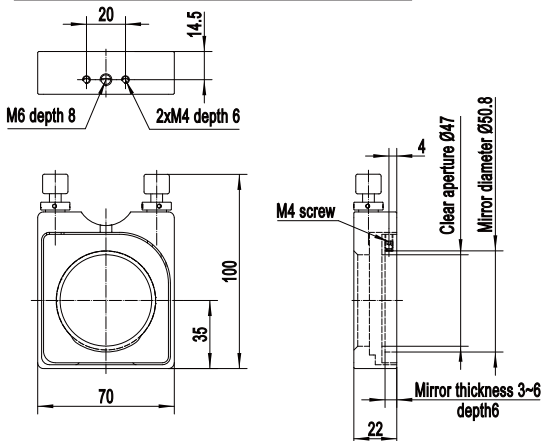
NMV25.4



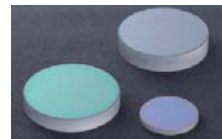
NMV38.1



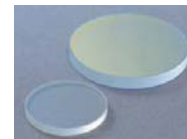
NMV50.8



Related Products:



Mirrors with coating



Beamsplitter



Connecting Accessories

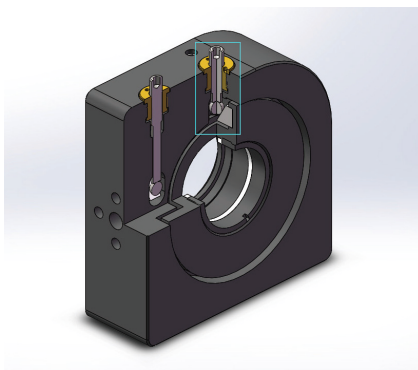
Kinematic Lens Mount
Laser Mount
Kinematic Lens Mount
Kinematic Mount for Polarization Components
Filter Wheel and Filter Mount
Prism/Cylinder Kinematic Mount
Special Kinematic Mount
Spatial Filter
Post and Post Holder
Accessories

NMVG series Vertical Drive Kinematic Mirror Mount



Brief Introduction:

NMVG series is in the N series new designed kinematic mirror mounts



Features:

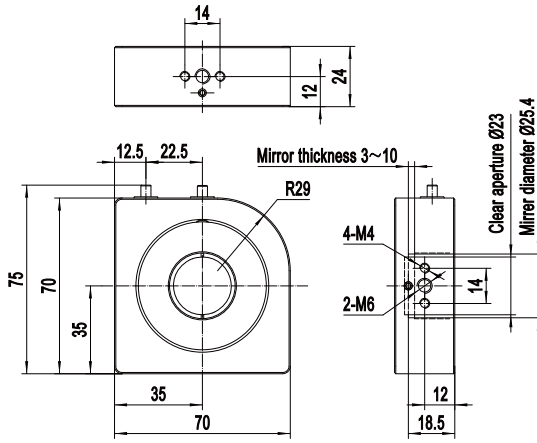
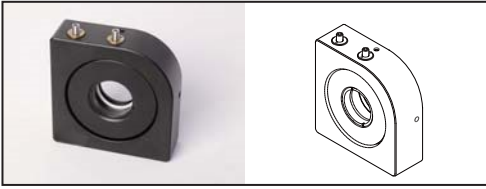
- High-quality materials: The main body is made of high-quality aluminium alloy, and the surface treated by black anodic oxidation.
- Advanced structure: No adjustment thumb wheel saving more space, you can keep the optics more closer. Suit for ultra compact optical layout
- Easy for tuning: Available for using the Hexagon wrench or thumb wheel
- High stable: M4*3 screw with copper sleeve, fine calculated pulling spring moderate pulling force
- Universal: Can mount with lens, mirror, beamsplitter etc. saving the space, avoid the finger block the optical path, can be use in the laser chamber

Selection Table:

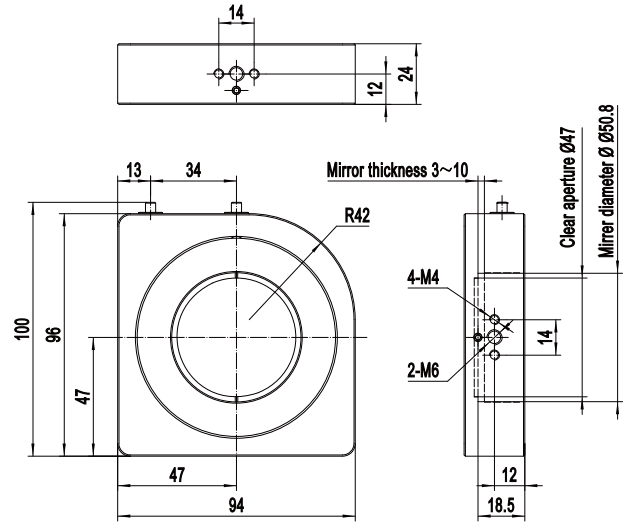
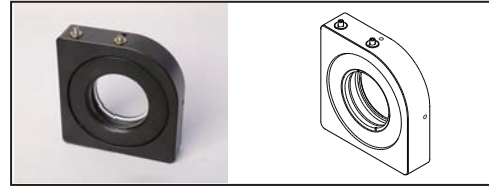
Model	NMVG25.4	NMVG50.8
Optic Size (mm)	Φ 25/ Φ 25.4	Φ 50/ Φ 50.8
Optic Thickness (mm)	3~10	
Adjustment Angle Range (°)	±3	
Clear Aperture (mm)	Φ 23	Φ 47
Optic Center Height (mm)	35	47
Overall Height (mm)	75	100
Overall Thickness (mm)	24	
One Round of Screw Drive vs Angle Adjusted (°)	≈0.78	≈0.48
Main Body Material and Treatment	Aluminium alloy, surface treated by black anodic oxidation	
Mounting Hole	M6, 2 pcs M4	
Net Weight (g)	260	400

Dimensions:

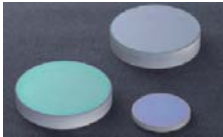
NMVG25.4



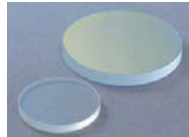
NMVG50.8



Related Products:



Mirrors with coating



Beamsplitter



Connecting Accessories

OMUS series Stainless Steel Kinematic Mirror Mount



Brief Introduction:

OMUS series is stainless steel high end kinematic mirror mounts .

Features:

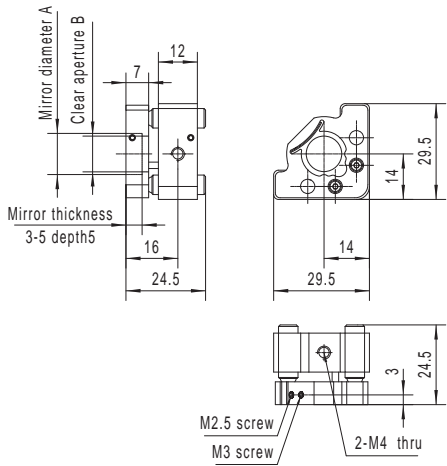
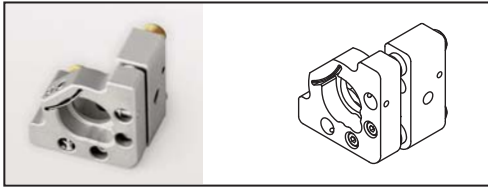
- High-quality materials: The main body is made of stainless steel , more rigid and stable, can work in vacuum when using the vacuum grease
- Advanced structure:
Four pulling springs, more uniform pulling force
- High sensitivity 0.2 mm pitch super-fine thread pairs for 3D adjustment, for higher sensitivity; special lock mechanics for more stable
- Dual fixing method : One locking method is specially designed elastic ring , which can avoid the lens deformation by the locking screws or rigid fixing. Improve the stability of the optical path. Or you can take off the elastic ring, using the side elastic plate fix the lens.
- Dual adjustment method: Adjusting thread pair come with hexagonal wrench or thumb wheel. for better adjustment sensitivity and also larger angle range.
- Easy for tuning: Available for using the hexagon wrench or thumb wheel
- Universal: M4.M6 screw holes

Selection Table:

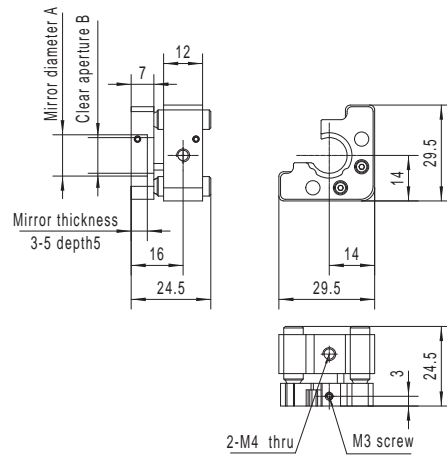
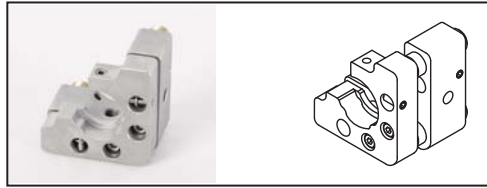
Model	OMUS12.7(-B)	OMUS20(-B)	OMUS25.4(-B)	OMUS38.1(-B)	OMUS50.8(-B)
Optic Size (mm)	φ 12.5/ φ 12.7	φ 20	φ 25/ φ 25.4	φ 38.1	φ 50/ φ 50.8
Optics Thickness (mm)	3~5				
Adjustment Angle Range (°)	±3				
Front Plate Translation (mm)	MAX6				
Clear ApertureB(mm)	11	18	23.5	35	47
Optic Center Height (mm)	14	25	25	30	35
One Round of Screw Drive vs Angle Adjusted (°)	≈0.56	≈0.32	≈0.32	≈0.25	≈0.2
Main Body Material and Treatment	Stainless Steel , Sandblasting passivation				
Fixed Plate Thickness(mm)	12	18	18	18	18
Number of Pulling Spring	2	4			
Locking Mechanics	Yes	Yes			
Mounting Hole	M4	M6, φ 8sink hole			
Net Weight (g)	60(60)	250(240)	240(230)	310(290)	360(330)

Dimensions:

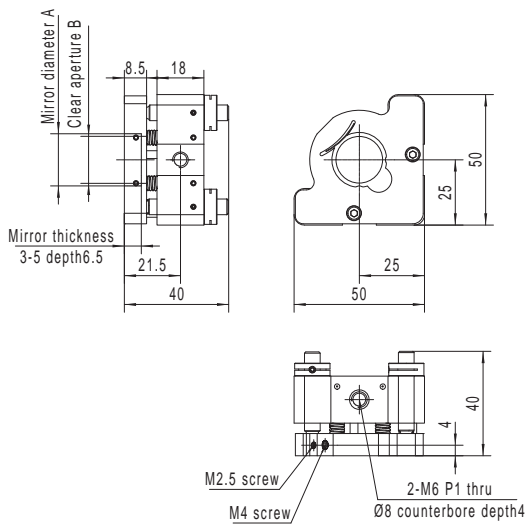
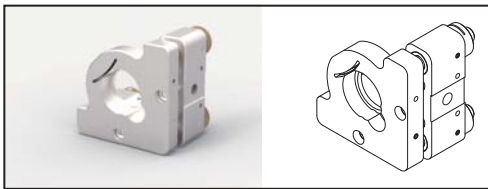
OMUS12.7



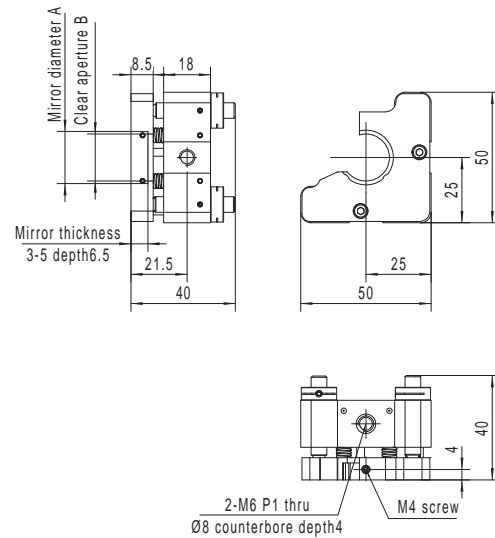
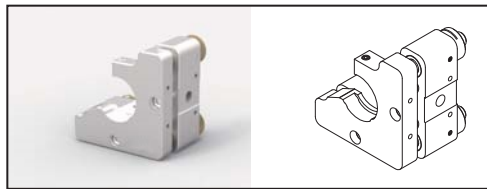
OMUS12.7-B



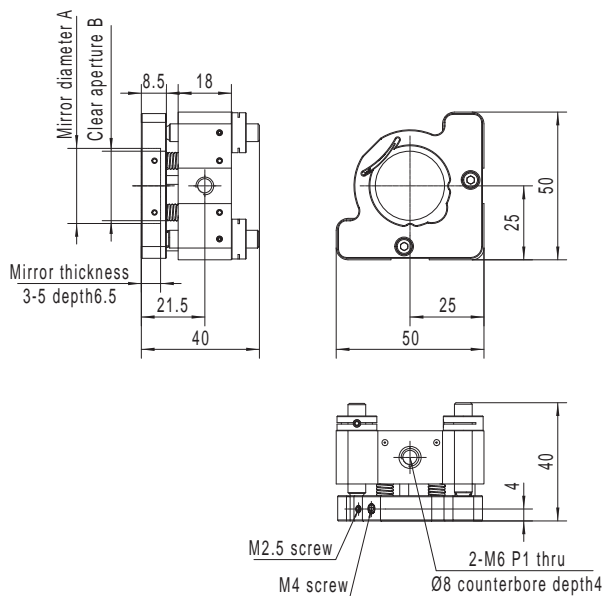
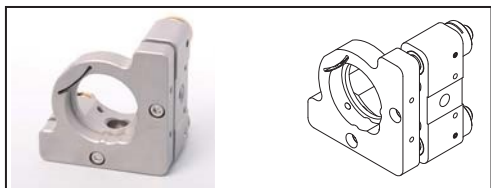
OMUS20



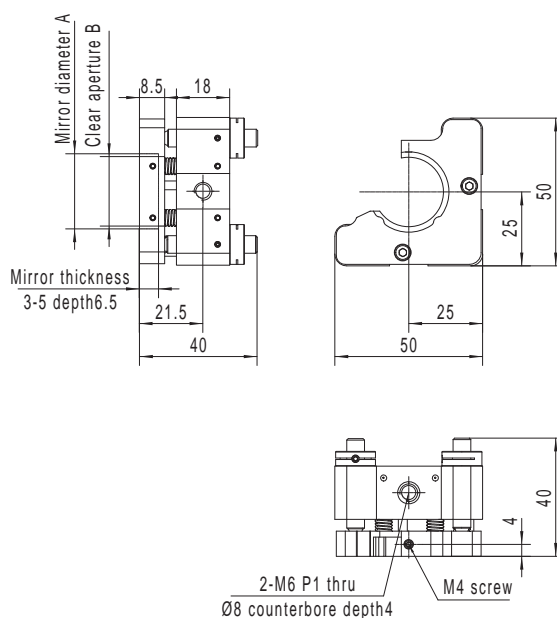
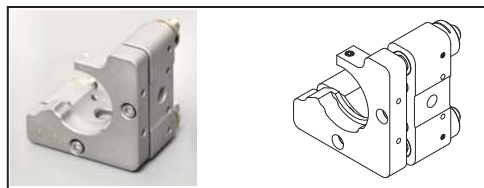
OMUS20-B



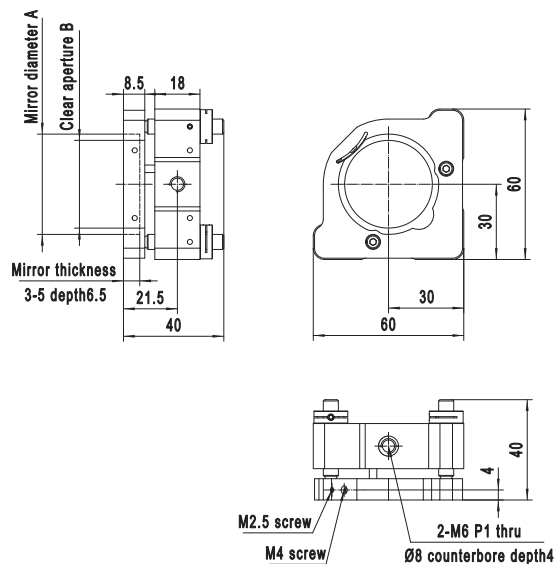
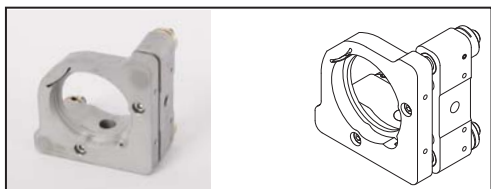
OMUS25.4



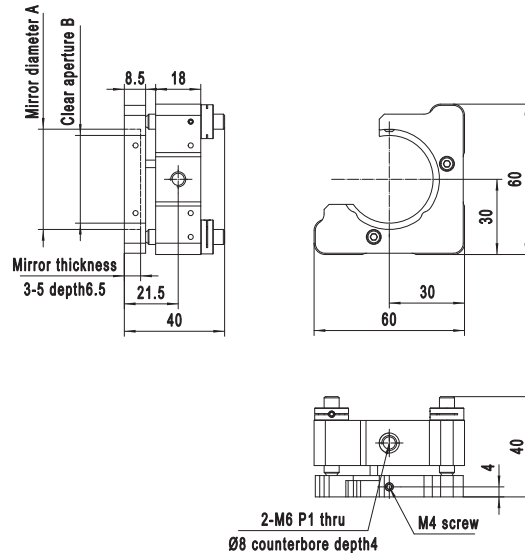
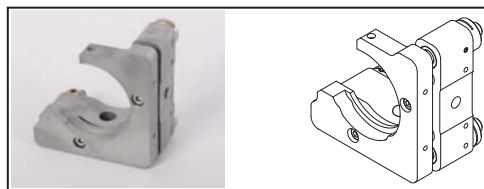
OMUS25.4-B



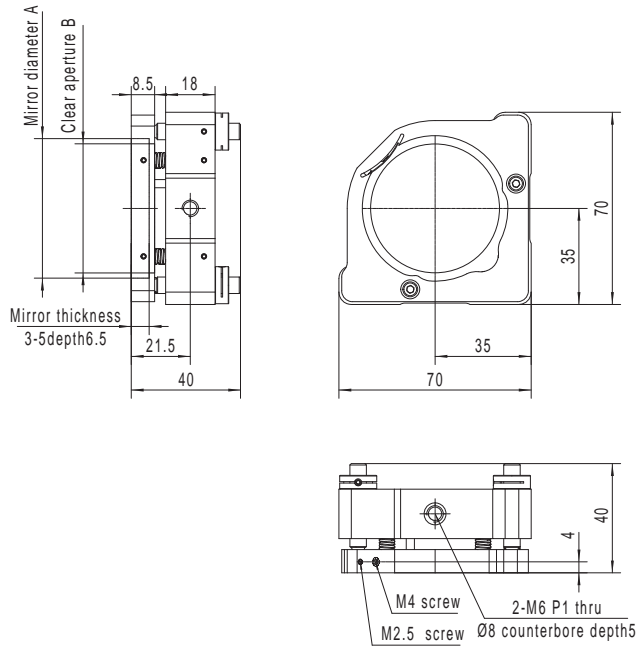
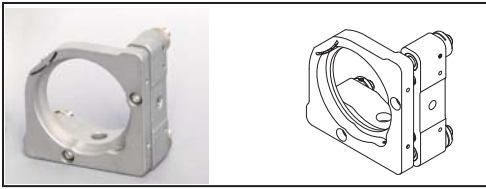
OMUS38.1



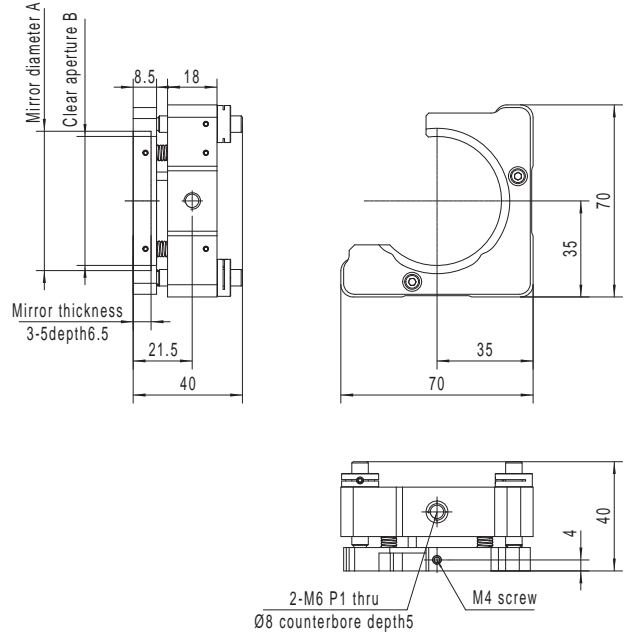
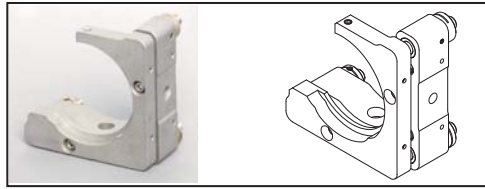
OMUS38.1-B



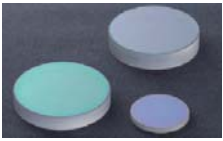
OMUS50.8



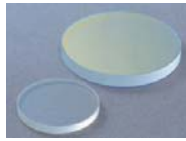
OMUS50.8-B



Related Products:



Mirrors with coating



Beamsplitter



Connecting Accessories

OMHS General Purpose Kinematic Mirror Mount



Brief Introduction:

OMHS series is kinematic mirror mounts with optimized structure and fine machinery

Features:

- 3pcs 0.25 mm pitch fine thread pairs for 3D adjustment, for high sensitivity;
- Cover ϕ 12.7~ ϕ 50.8 mm size
- Flexible fixing method : Standard with thumb wheel screw, option with open screw (-B) and elastic press ring(-C)
- Standrd without the locking drive; all model with option for locking (-S)

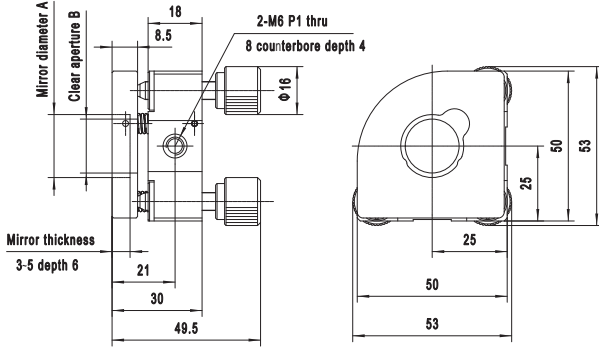
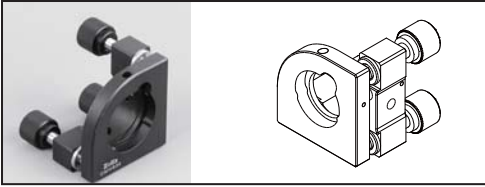
Selection Table:

Model	OMHS12.7(-S)	OMHS20(-S)	OMHS25(-S)	OMHS30(-S)	OMHS38.1(-S)	OMHS50.8(-S)
Optic Size (mm)	ϕ 12.5/ ϕ 12.7	ϕ 20	ϕ 25/ ϕ 25.4	ϕ 30	ϕ 38.1	ϕ 50/ ϕ 50.8
Optics Thickness (mm)	3~5				4~8	
Adjustment Angle Range (°)	± 3					
Front Plate Translation (mm)	MAX6					
Clear ApertureB(mm)	ϕ 11	ϕ 18	ϕ 22	ϕ 27	ϕ 35	ϕ 47
Optic Center Height (mm)	25	25	25	25	35	35
One Round of Screw Drive vs Angle Adjusted (°)	≈ 0.39	≈ 0.39	≈ 0.39	≈ 0.39	≈ 0.25	≈ 0.25
Main Body Material and Treatment	aluminium alloy, surface treated by black anodic oxidation.					
Fixed Plate Thickness(mm)	18					
Number of Pulling Spring	2				4	
Mounting Hole	M6, ϕ 8sink hole					
Net Weight (g)	148(160)	142(154)	138(150)	135(147)	215(227)	185(197)

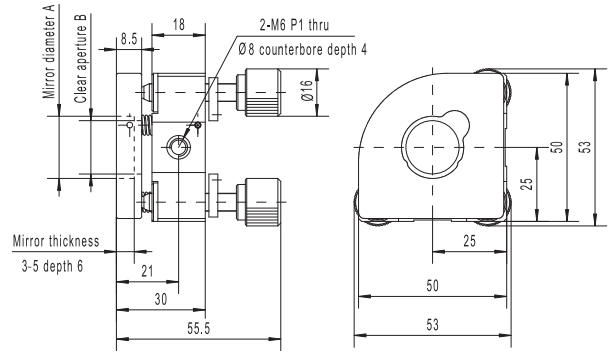
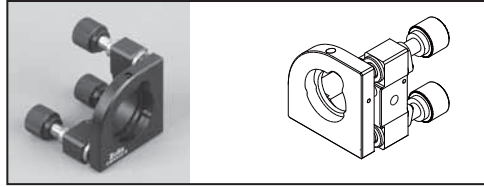
Model	OMHS12.7-B(S)	OMHS20-B(S)	OMHS25-B(S)	OMHS30-B(S)	OMHS38.1-B(S)	OMHS50.8-B(S)
Optic Size (mm)	ϕ 12.5/ ϕ 12.7	ϕ 20	ϕ 25/ ϕ 25.4	ϕ 30	ϕ 38.1	ϕ 50/ ϕ 50.8
Optics Thickness (mm)	3~5				4~8	
Adjustment Angle Range (°)	± 3					
Front Plate Translation (mm)	MAX6					
Clear ApertureB(mm)	ϕ 11	ϕ 18	ϕ 22	ϕ 27	ϕ 35	ϕ 47
Optic Center Height (mm)	25	25	25	25	35	35
One Round of Screw Drive vs Angle Adjusted (°)	≈ 0.39	≈ 0.39	≈ 0.39	≈ 0.39	≈ 0.25	≈ 0.25
Main Body Material and Treatment	aluminium alloy, surface treated by black anodic oxidation.					
Fixed Plate Thickness(mm)	18					
Number of Pulling Spring	2				4	
Mounting Hole	M6, ϕ 8sink hole					
Net Weight (g)	138(150)	135(146)	132(143)	130(140)	195(206)	175(186)

Dimensions:

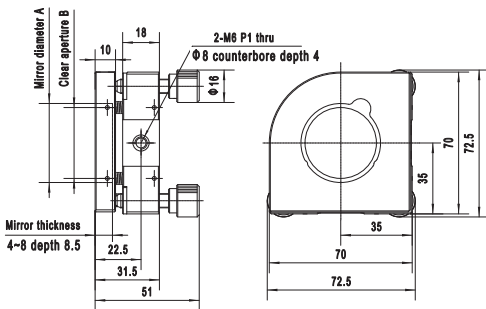
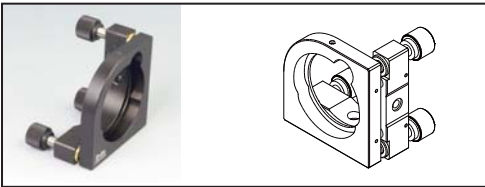
OMHS12.7/20/25/30



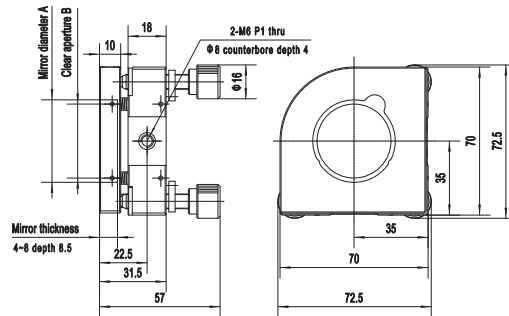
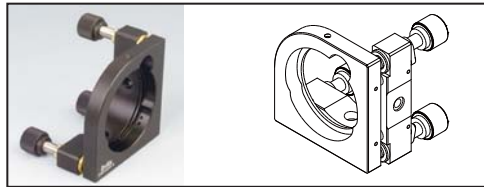
OMHS12.7/20/25/30-S



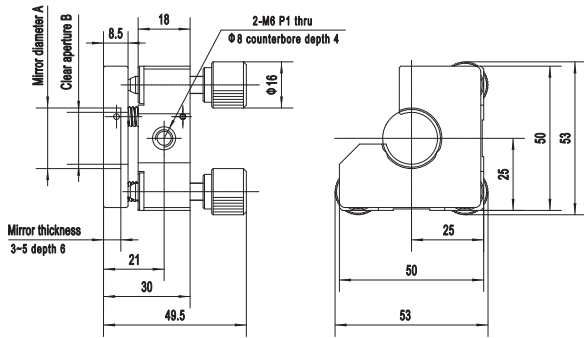
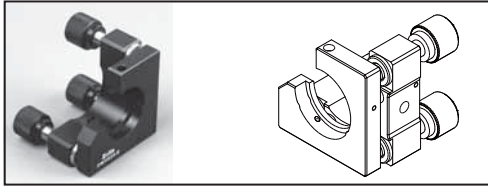
OMHS38.1/50



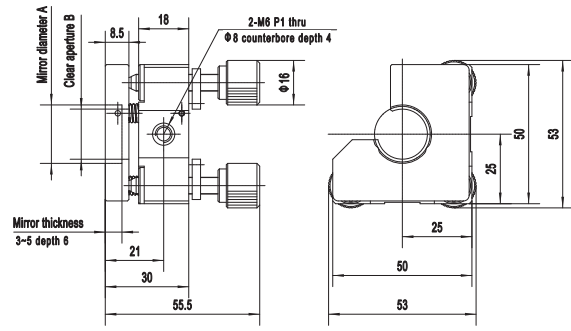
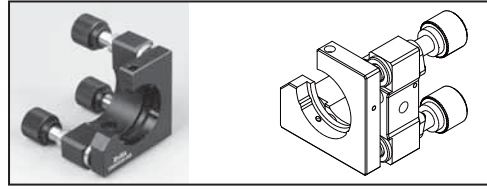
OMHS38.1/50-S



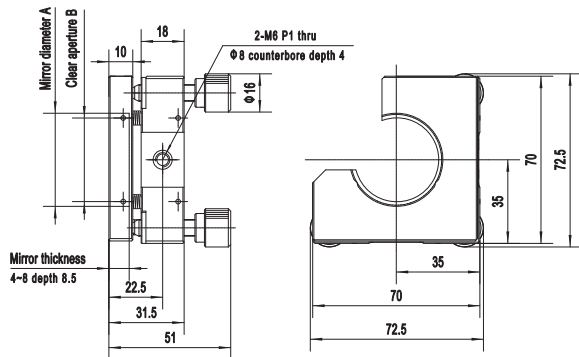
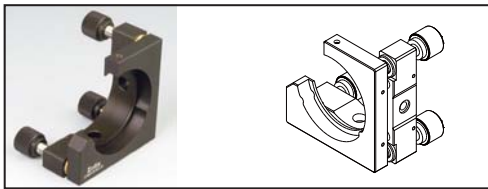
OMHS12.7/20/25/30-B



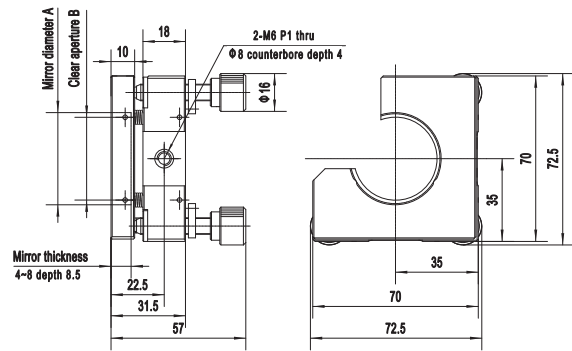
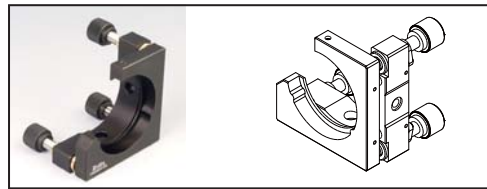
OMHS12.7/20/25/30-BS



OMHS38.1/50-B



OMHS38.1/50-BS



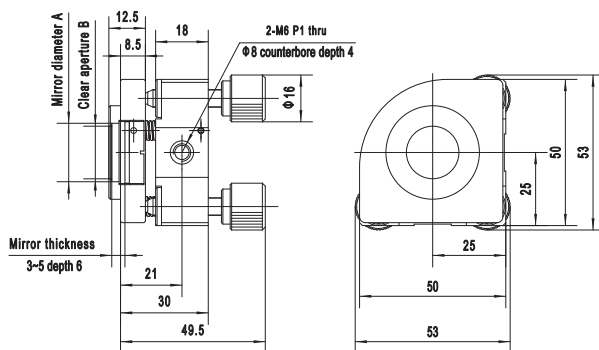
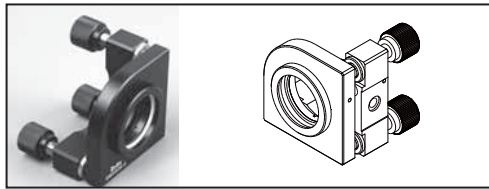
Selection Table:

Model	OMHS12.7-C(S)	OMHS20-C(S)	OMHS25-C(S)	OMHS25.4-C(S)	OMHS30-C(S)	OMHS38.1-C(S)	OMHS50-C(S)	OMHS50.8-C(S)
Optic Size (mm)	φ 12.7	φ 20	φ 25	φ 25.4	φ 30	φ 38.1	φ 50	φ 50.8
Optics Thickness (mm)	3~5					4~8		
Adjustment Angle Range (°)	±3							
Front Plate Translation (mm)	MAX6							
Clear ApertureB(mm)	φ 11	φ 18	φ 23	φ 23	φ 28	φ 35	φ 47	φ 47
Optic Center Height (mm)	25	25	25	25	27.5	35	35	35
One Round of Screw Drive vs Angle Adjusted (°)	≈0.39	≈0.39	≈0.39	≈0.39	≈0.39	≈0.25	≈0.25	≈0.25
Main Body Material and Treatment	aluminium alloy, surface treated by black anodic oxidation.							
Fixed Plate Thickness(mm)	18							
Number of Pulling Spring	2					4		
Mounting Hole	M6, φ 8sink hole							
Net Weight (g)	157(168)	152(164)	146(158)	145(156)	132(144)	234(245)	205(216)	202(213)

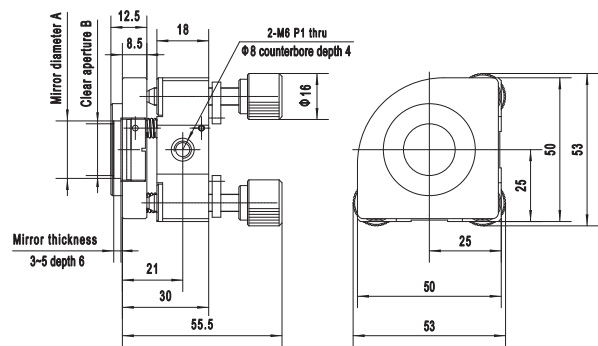
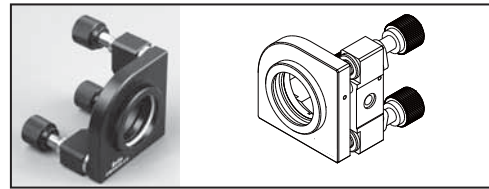
Note: 1. S is the model with locking mode, 2. The 25/25.4 and 50/50.8 has different size elastic press ring

Dimensions:

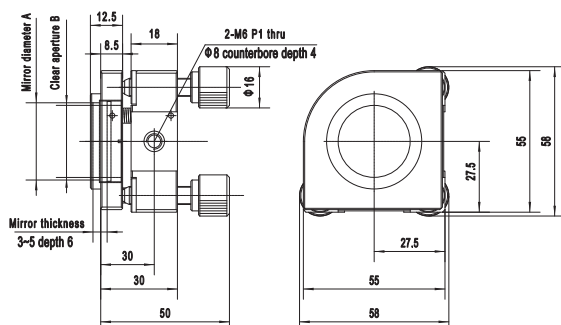
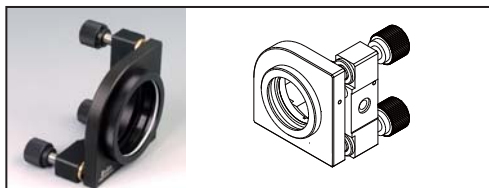
OMHS12.7/20/25/25.4-C



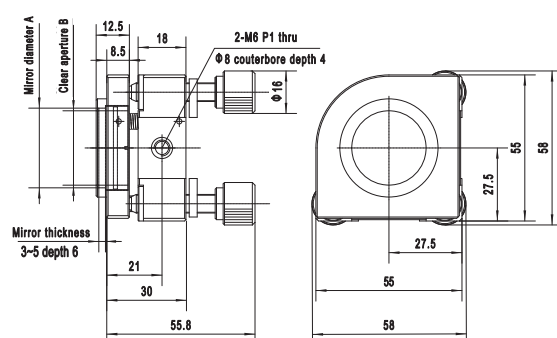
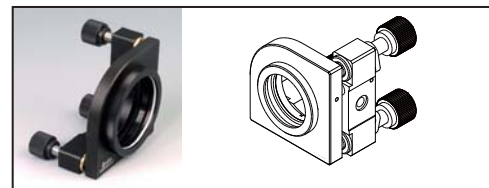
OMHS12.7/20/25.4-CS



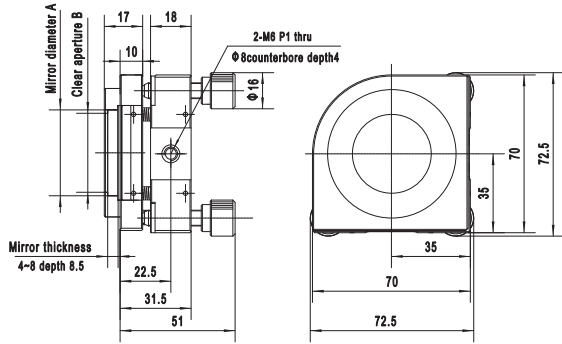
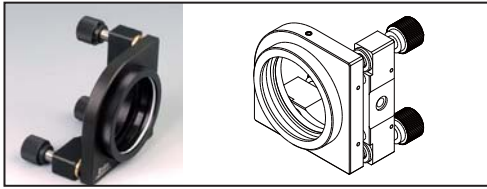
OMHS30-C



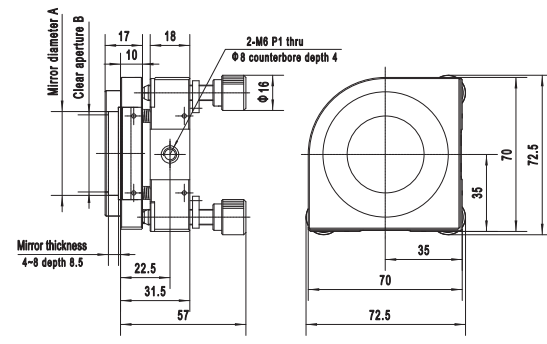
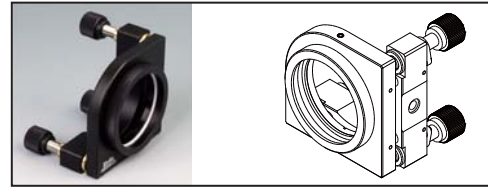
OMHS30-CS



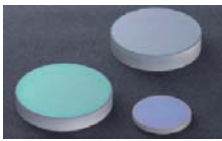
OMHS38.1/50/50.8-C



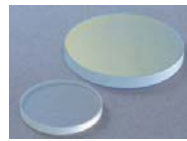
OMHS38.1/50/50.8-CS



Related Products:



Mirrors with coating



Beamsplitter



Connecting Accessories

sample:



locking mechanics



using with post and post holders

Using the OMHS make the lens array frame



MAD series Kinematic Mirror Adaptor

MAD25-45MH-xx series 45 Mirror Adaptor



Brief Introduction:

MAD25-45MH-xx series 45 deg mirror adaptor come with 1 inch through hole , can mount the mirror or the beam splitter.

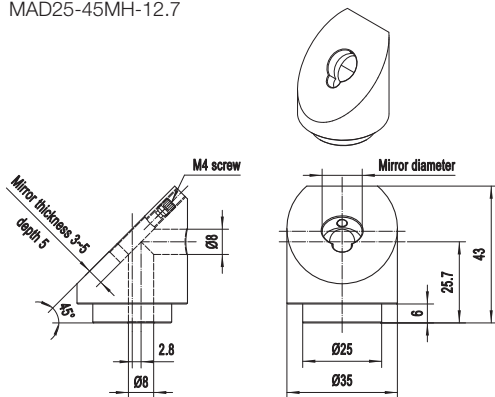
MAD25-45MH-M is the 45 deg adaptor for the OMUS/OMHS series kinematic mirror mount

Selection Table:

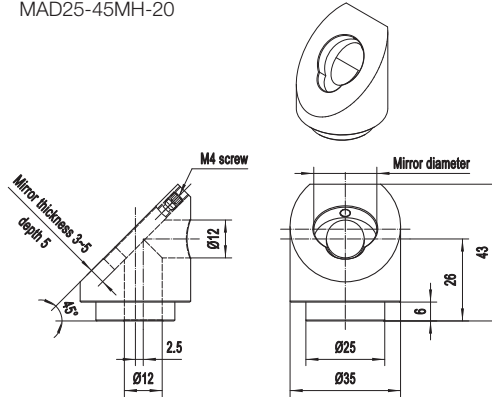
Model	Name	Mirror Size(mm)	Mirror Thick(mm)	Mounting Hole Diameter(mm)
MAD25-45MH-12.7	45 deg Mirror holder	φ 12.7	3~5	φ 25
MAD25-45MH-20	45 deg Mirror holder	φ 20	3~5	φ 25
MAD25-45MH-25	45 deg Mirror holder	φ 25	3~5	φ 25
MAD25-45MH-30	45 deg Mirror holder	φ 30	3~5	φ 25
MAD25-45MH-M	45 deg adaptor for kinematic mirror mount	adaptor for the OMUS/OMHS series kinematic mirror mount		M4 on the top M6 at the bottom

Dimensions:

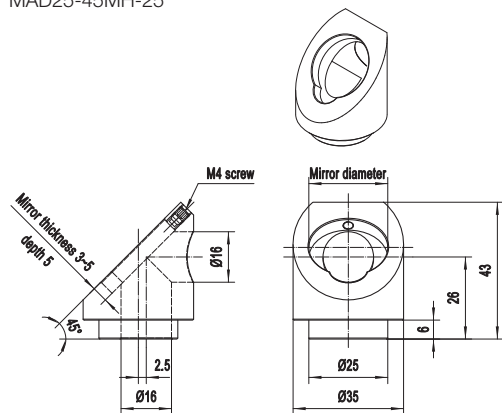
MAD25-45MH-12.7



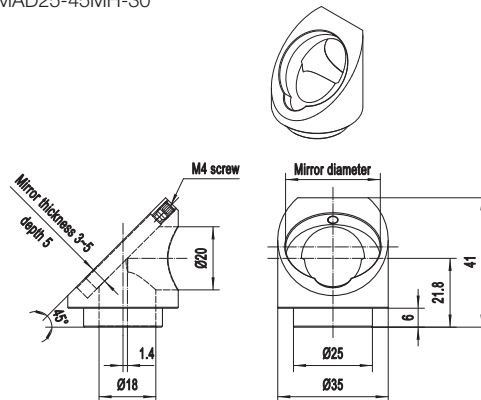
MAD25-45MH-20



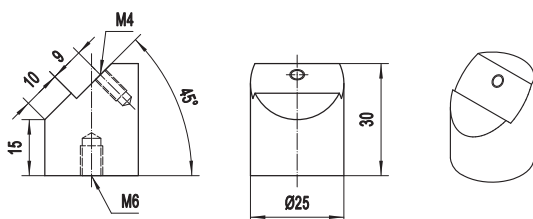
MAD25-45MH-25



MAD25-45MH-30



MAD25-45MH-M



MAD25-CBH-xx series Adaptor for Beam splitter Cube



Brief Introduction:

MAD25-CBH-xx series adaptor for beam splitter cube attach to OMUS/OMHS series kinematic mirror mount

Selection Table:

Model	Name	Beamsplitter Cube Size (mm)	Mounting Hole Diameter(mm)
MAD25-CBH-10	beamsplitter cube adaptor	10	φ 25
MAD25-CBH-15	beamsplitter cube adaptor	15	φ 25
MAD25-CBH-20	beamsplitter cube adaptor	20	φ 25
MAD25-CBH-30	beamsplitter cube adaptor	30	φ 25

Related Products:



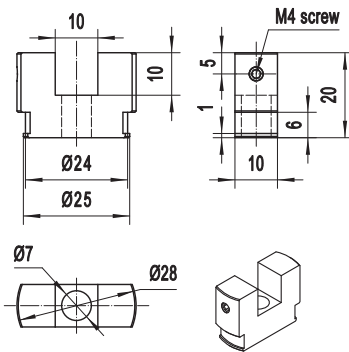
kinematic mirror mount OMHS,OMUS



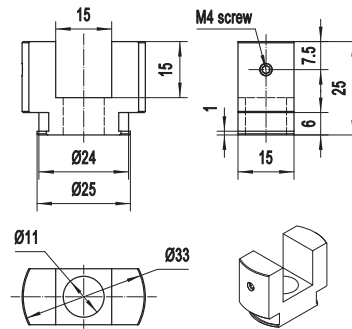
Connecting Accessories

Dimensions:

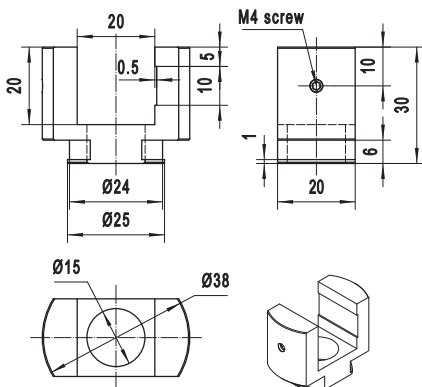
MAD25-CBH-10



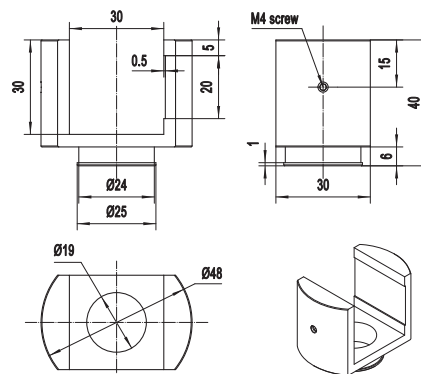
MAD25-CBH-15



MAD25-CBH-20



MAD25-CBH-30



MAD25-S2C-xx Square Mirror Adaptor



Brief Introduction:

MAD25-S2C-xx series are adaptor for square mirror attach to OMUS/OMHS series kinematic mirror mount

Selection Table:

Model	Square Mirror Size (mm)	Remommand Mirror Thickness(mm)	Mounting Hole Diameter (mm)
MAD25-S2C-20	20	5	φ 25
MAD25-S2C-25	25	5	φ 25
MAD25-S2C-30	30	5	φ 25
MAD50-S2C-50	50	8	φ 50

Related Products:



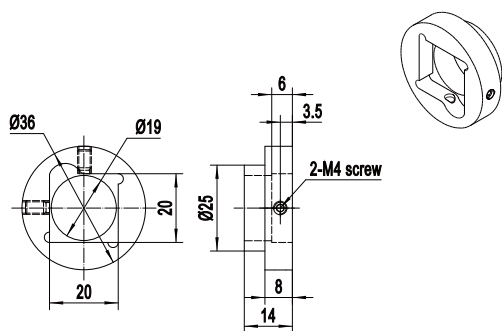
kinematic mirror mount OMHS,OMUS



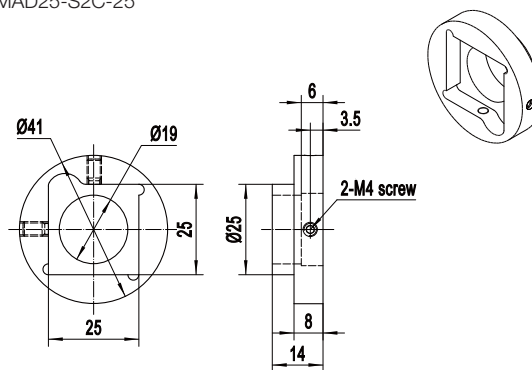
Connecting Accessories

Dimensions:

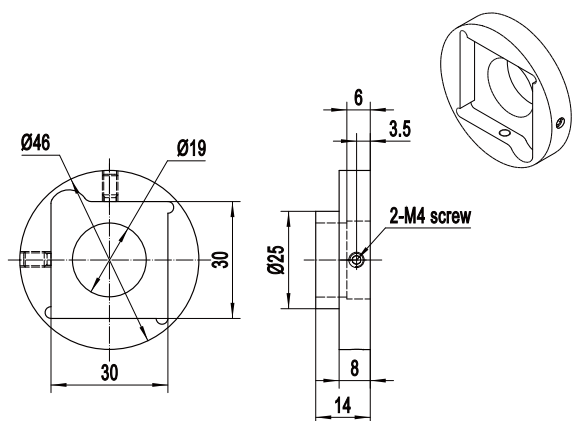
MAD25-S2C-20



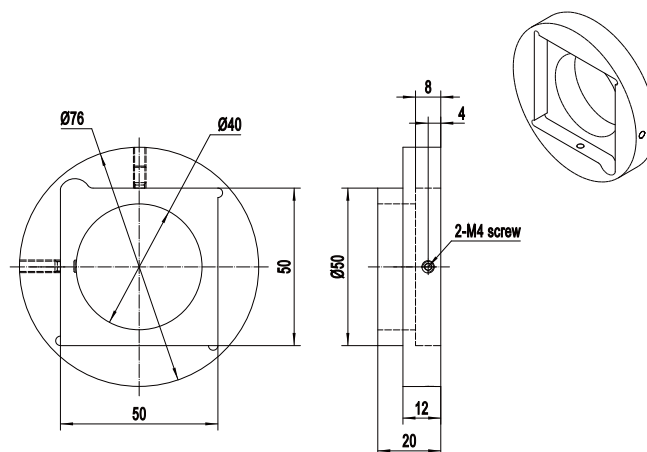
MAD25-S2C-25



MAD25-S2C-30



MAD50-S2C-50



LM series Laser Mount

Laser machinery system widely used in the aerospace, aviation, navigation, automobile, electronics, machinery and other industries, especially in the cutting, welding, machining and marking etc.

There are many kinds of equipment, such as laser marking machine, laser cutting machine, laser welding machine, laser marking machine, laser drilling machine, laser resistance adjusting machine and so on. It is widely used in the preparation and processing of cloth, wood, glass, various metals and other non-metallic industries. The stability of laser machinery system often determines the production efficiency and quality. The laser mount products are specially designed for high-end products.

Typical Nd:YAG laser based laser machinery system picture as below:

LM series features:

- Well designed point-line-surface structure for better stability
- Fine thread for adjustment, high sensitivity, good locking mechanics, high stability
- Four-pulling spring enhances the pulling force and makes the distribution of the pulling force more uniform
- Same optical height makes the tuning more easy
- Surface treated by black anodic oxidation
- Well designed locking units for endure harsh transport conditions



LM20-2 Front/Rare Mirror Kinematic Mount



LM20-2B Front/Rare Mirror Kinematic Mount
with dust cover



LM20-PH-XY Iris Diaphragm Kinematic Mount



LM20-2-Q Q-switch Kinematic Mount



LM20-4-LBE 4 axis Laser Beam Expander
Kinematic Mount

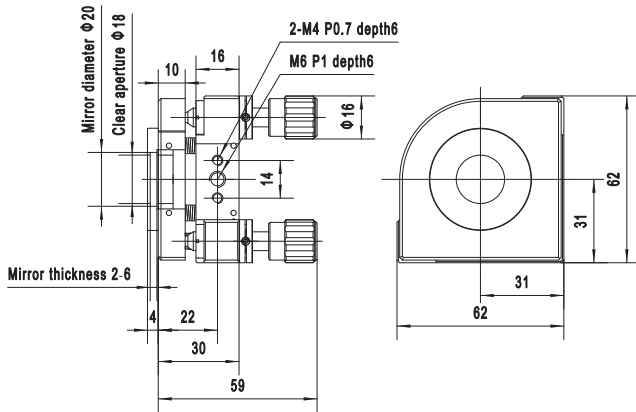


LM20-4-LD 4 axis Red Guiding Laser
Kinematic Mount

LM20-2 Front/Rare Mirror Kinematic Mount

Specifications:

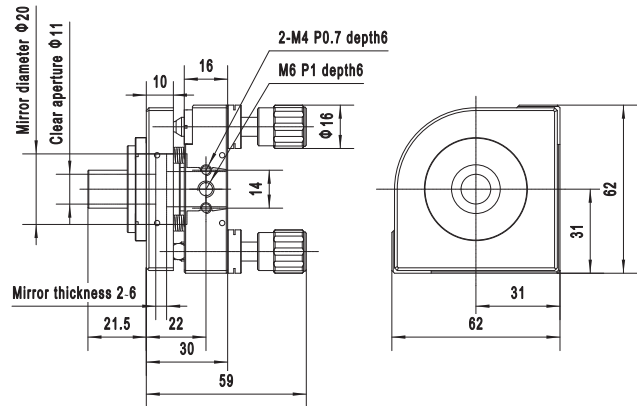
Optics size : $\phi 20\text{mm}$, Clear Aperture : $\phi 18\text{mm}$,
Adjustment Angle Range: $\pm 3^\circ$



LLM20-2B Front/Rare Mirror Kinematic Mount with dust cover

Specifications:

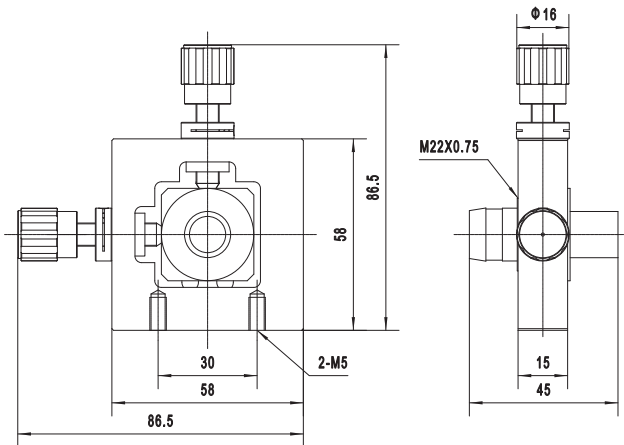
Optics Size: 20mm Diameter;
dust cover inner diameter 12mm;
Clear Aperture 11 mm; Adjustment Angle Range $\pm 3^\circ$;



LM20-PH-XY pinhole aperture mount

Specifications:

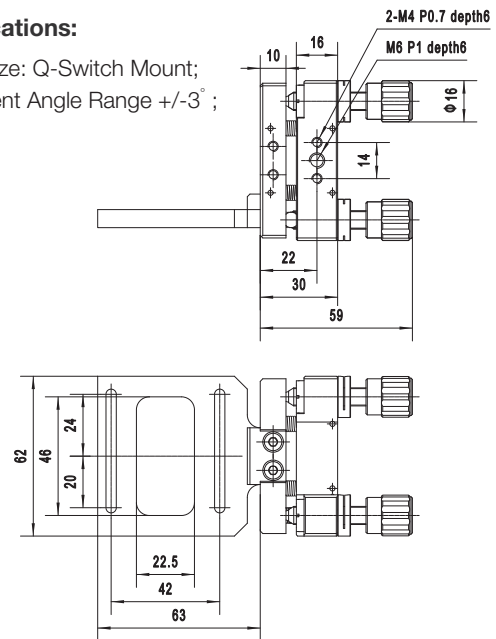
Mounting Hole: 20mm Diameter; XY Adjustment Range $\pm 2\text{mm}$;
Clear Aperture Depends on Iris Diaphragm;



LM20-2-Q Q-switch Kinematic Mount

Specifications:

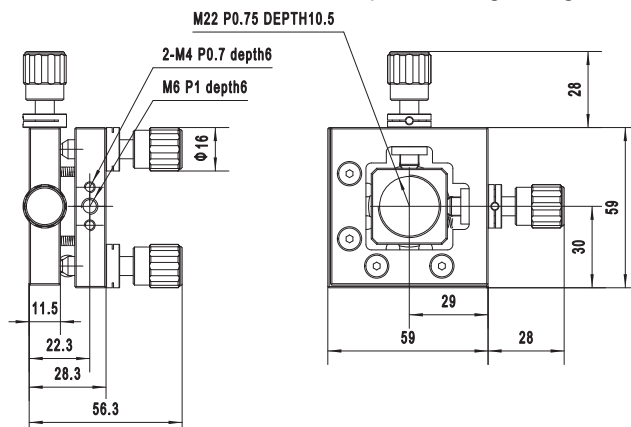
Optics Size: Q-Switch Mount;
Adjustment Angle Range $\pm 3^\circ$;



LM20-4-LBE 4 axis Laser Beam Expander Kinematic Mount

Specifications:

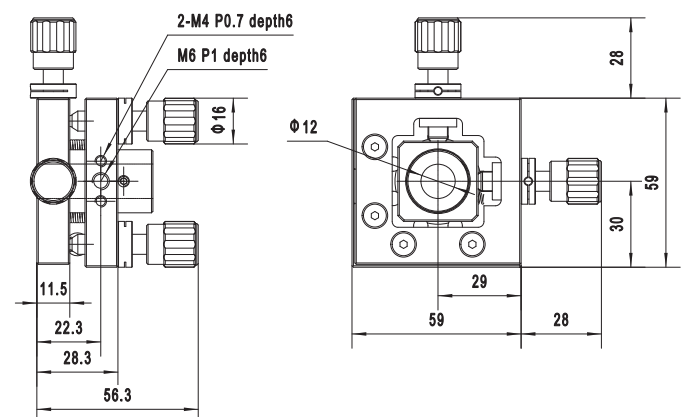
Mounting Hole: M22 \times 0.75;
XY Adjustment Range $\pm 2\text{mm}$; Adjustment Angle Range $\pm 3^\circ$;



LM20-4-LD 4 axis Red Guiding Laser Kinematic Mount

Specifications:

Mounting Hole: 12mm dia length $\geq 20\text{mm}$;
XY Adjustment Range $\pm 2\text{mm}$; Adjustment Angle Range $\pm 3^\circ$;



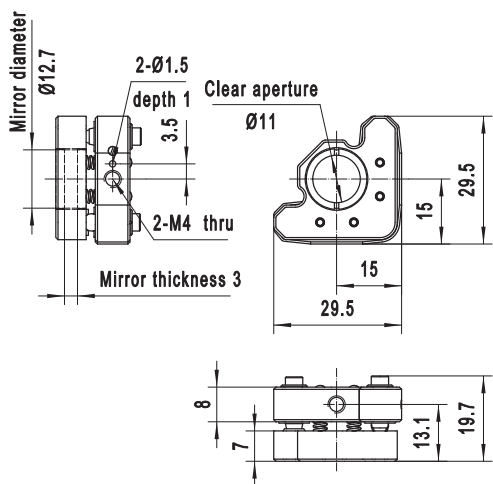
MM series Small Industrial Kinematic Mount

MM12.7-2



Specifications:

MM series is designed for small lasers
Optics size: 12.7mm dia ,
Adjustment Angle Range $\pm 3^\circ$
inner-hexagonal adjustment

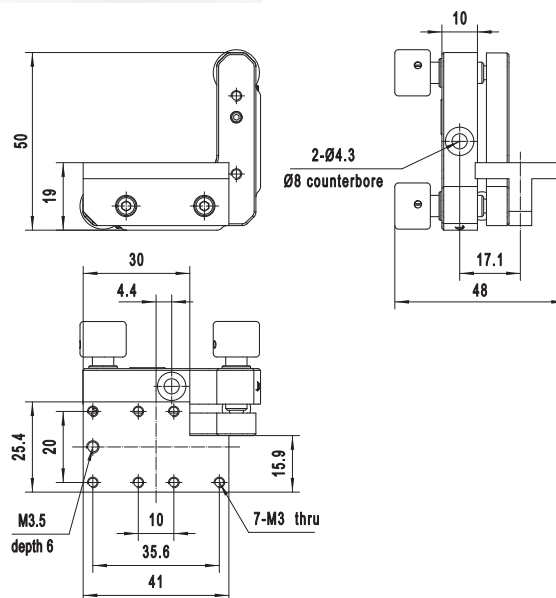


MM-Q-2H



Specifications:

Q-Switch Mount Plate
Adjustment Angle Range $\pm 3^\circ$
Thumb Wheel Thread adjustment

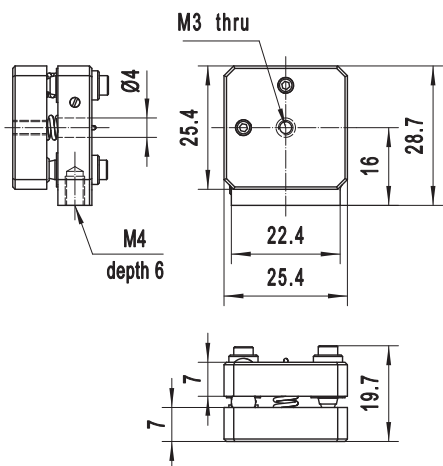


MM-T-2



Specifications:

Stick up to 20mm Dia. Mirror
Adjustment Angle Range $\pm 3^\circ$
inner-hexagonal adjustment



Most of the kinematic mount for lens are 2 axis or 3 axis in translation. If the coaxiality of the lens is required, the coaxial lens mount or 2 axis kinematic lens mount may selected. There are two ways to lock the lens, open style or O ring style.

NL series Kinematic Lens Mount



Brief Introduction:

NL series kinematic lens mount is used for adjust the lens in 2D or 3D in transmission (X,Y,Z), to make the lens center match the optical beam center.

Features:

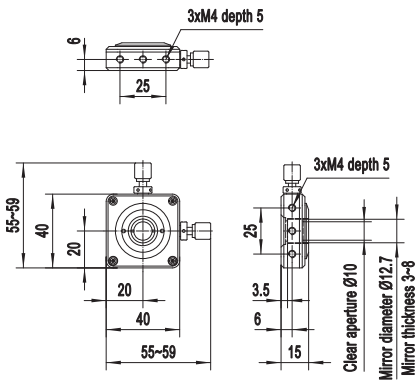
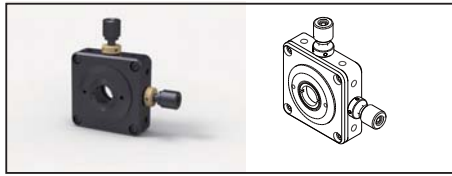
- High-quality materials: The main body is made of high-quality aluminium alloy, and the surface treated by black anodic oxidation.
- Advanced structure:
 - ① Position holded by elastic press ring, avoid the cross-impact of the two axis adjustment
 - ② Well caculated spring force more smooth in translation and stable.
 - ③ Come with a scriber, the center of the lens can be easily identified
- High sensitivity: X-Y axis with 0.2 mm pitch super-fine thread pairs ; Z-axis with 0.5mm fine pitch for high sensitivity;
- Universal mounting holes: M4, M6 screw holes

Selection Table:

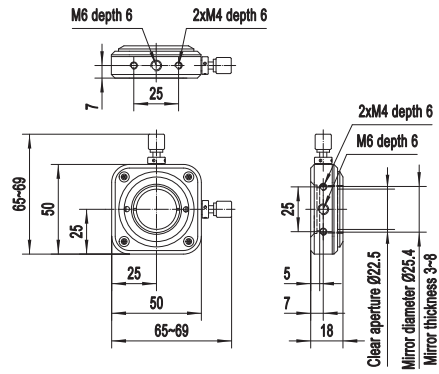
Model	NLXY12.7	NLXY25.4	NLXY50.8	NLXYZ12.7	NLXYZ25.4
Optic Size (mm)	φ 12.5/ φ 12.7	φ 25/ φ 25.4	φ 50/ φ 50.8	φ 12.7	φ 25/ φ 25.4
Optics Thickness (mm)	3~8	3~8	3~14	3~8	3~10
Translation Range(mm)	X-axis		±2		
	Y-axis		±2		
	Z-axis	/		±2	
Clear Aperture (mm)	φ 10	φ 22.5	φ 46	φ 10	φ 22.5
Optic Center Height (mm)	20	25	40	25	40
One Round of Screw Drive vs Translation Adjusted (mm)			0.2		
One Round of Z-axis Screw Drive vs Translation Adjusted (mm)			/	0.5	
Main Body Material and Treatment	aluminium alloy, surface treated by black anodic oxidation.				
Overall Thickness (mm)	15	18	25	MAX27.5	MAX38.5
Locking Mechanics	Yes				
Mounting Hole	M6, 2M4				
Net Weight (g)	70	95	280	120	415

Dimensions:

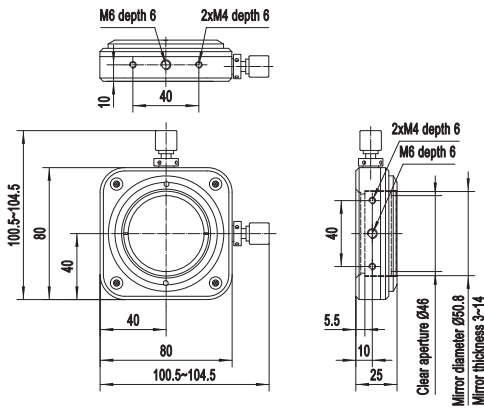
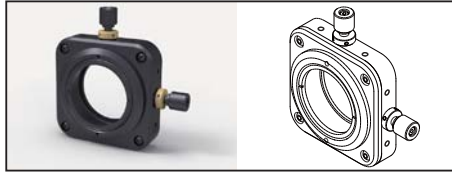
NLXY12.7



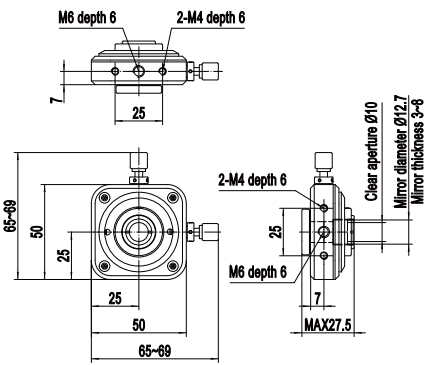
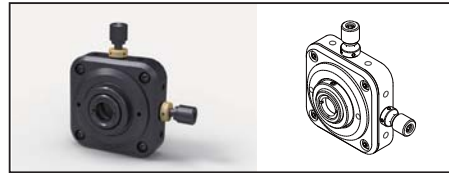
NLXY25.4



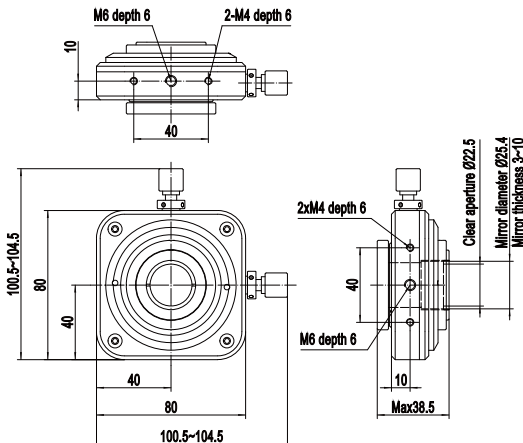
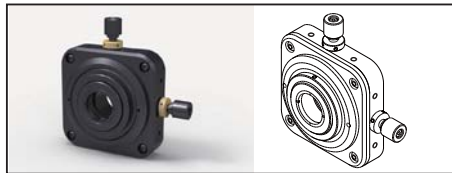
NLXY50.8



NLXYZ12.7



NLXYZ25.4



Related Products:



Ленсе



Connecting Accessories

NLB series Lens Mount



Brief Introduction:

NLB series lens mount using for holding the lens, lens size cover 10-50.8mm diameter.

Features:

- High-quality materials: The main body is made of high-quality aluminium alloy, and the surface treated by black anodic oxidation.
- Lens size cover 10-50.8mm diameter come with teflon O ring for protecting the lens.

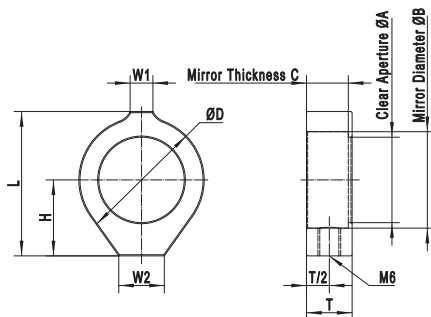
Selection Table:

Model	Clear Aperture A (mm)	Optics Size B (mm)	Optics Thickness C (mm)	Optic Center Height H (mm)	Overall Height L (mm)	Overall thickness T (mm)	D (mm)	W1 (mm)	W2 (mm)	Mounting Hole
NLB10	φ 7	φ 10	3~5	14	24.5	9	18	6	10	M6
NLB12.7	φ 10	φ 12.7	3~5	14	25.5	9	20	6	10	
NLB15	φ 12	φ 15	3~5	16	29	9	22	6	12	
NLB20	φ 17	φ 20	3~8	20	36	12	28	6	12	
NLB25	φ 22	φ 25	3~8	20	38	12	33	6	12	
NLB25.4	φ 22.5	φ 25.4	3~8	20	38	12	33	6	12	
NLB30	φ 26	φ 30	3~8	25	46	12	38	6	12	
NLB35	φ 31	φ 35	3~8	25	48.5	12	43	6	16	
NLB38.1	φ 34	φ 38.1	3~8	30	55	12	46	6	16	
NLB40	φ 36	φ 40	3~8	30	56	12	48	6	16	
NLB50	φ 46	φ 50	3~10	35	66.5	14	58	6	16	
NLB50.8	φ 46	φ 50.8	3~10	35	67	14	59	6	16	

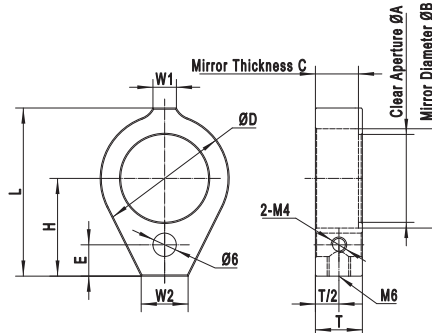
Model	Clear Aperture A (mm)	Optics Size B (mm)	Optics Thickness C (mm)	Optic Center Height H (mm)	Overall Height L (mm)	Overall thickness T (mm)	D (mm)	E (mm)	W1 (mm)	W2 (mm)	Mounting Hole
NLB12.7-B	φ 10	φ 12.7	3~5	25	36.5	9	20	8	6	13	M6
NLB20-B	φ 17	φ 20	3~8	25	41	12	28	8	6	12	
NLB25-B	φ 22	φ 25	3~8	25	43	12	33	8	6	12	
NLB25.4-B	φ 22.5	φ 25	3~8	25	43	12	33	8	6	12	
NLB30-B	φ 26	φ 30	3~8	40	61	12	38	10	6	12	
NLB38.1-B	φ 34	φ 38.1	3~8	40	65	12	46	10	6	16	
NLB50-B	φ 46	φ 50	3~10	40	71.5	14	58	10	6	16	
NLB50.8-B	φ 46	φ 50.8	3~10	40	72	14	59	10	6	16	

Dimensions:

NLBxx



NLBxx-B



Related Products:



Lense Alignment Targets



Connecting Accessories



OMLS series Self-Centering Lens Mount



Brief Introduction:

OMLS series self-centering lens mount using for holding different size of lens ,because of the self-centering function ,when you change another size of lens from time to time , the optical center keeps the same.

Features:

- High-quality materials: The main body is made of high-quality aluminium alloy, and the surface treated by black anodic oxidation.
- Self-centering function, three attach point hold the lens, the pulling spring hold the self-centering position automatically.
- Universal: Lens size cover 5-102mm diameter
- Custom designed 2D-3D self-centering kinematic lens mount also available

Selection Table:

Model	OMLS50-1	OMLS76-1	OMLS102-1
Optic Size (mm)	φ 5~ φ 50	φ 5~ φ 76	φ 5~ φ 102
Max Clear Aperture A (mm)	φ 46	φ 72	φ 100
Outline Diameter (mm)	φ 70	φ 102	φ 140
Optic Center Height (mm)	34.5	50.5	69.5
Overall Height(mm)	88.5	121.4	159.3
Main Body Material and Treatment	aluminium alloy, surface treated by black anodic oxidation.		
Overall Thickness (mm)	19	30	30
Number of Pulling Spring	2		
Mounting Hole	M6		
Net Weight (g)	85	198	355

Related Products:



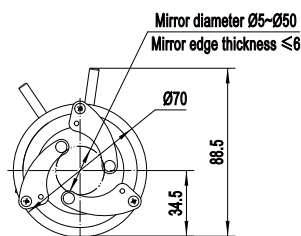
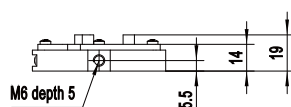
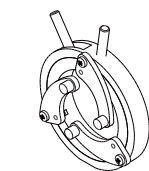
Lense



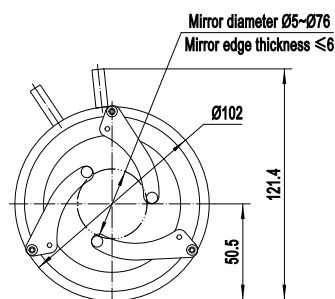
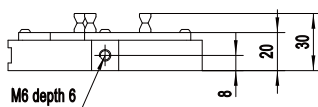
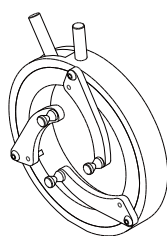
Connecting Accessories

Dimensions:

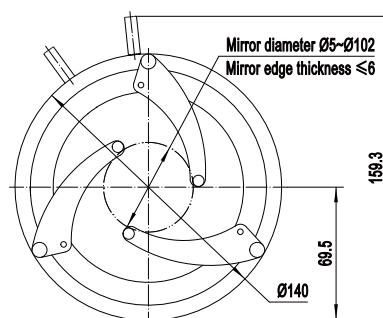
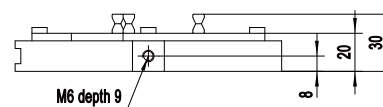
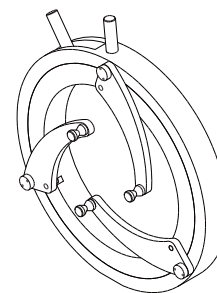
OMLS50-1



OMLS76-1



OMLS102-1





Brief Introduction:

OMLH series optical mount for lens using for holding different size and different type of lens , an teflon V-type chunk which can be pulled up and 360 degree rotate can fit the lens size and shape, the internal spring offer the press to hold the lens. With this mechanics ,you can change and hold the lens easy and fast. OMLH series optical mount suit for hold the lens edge thickness less than 6mm

Features:

- High-quality materials: The main body is made of high-quality aluminium alloy, and the surface treated by black anodic oxidation.
- Adjustment mechanics suit for 5-75mm or 10-100mm diameter lens
- An teflon V-type chunk which can be pulled up and 360 degree rotate can fit the lens size and shape, the internal spring offer the press to hold the lens.
- Stable: V-shape slot hold the lens with the locking nob on the side
- Universal mounting holes: With both M4, M6 screw holes

Operate Instruction:

First, loosen the locking thumb wheel, move the upper movable block to the appropriate position, then slightly lock, pull the clip button, put the lens on, loosen the clip button, clamp the lens. If the elasticity of the chuck is inappropriate, the movable block can be slightly moved and then lock the lens with thumb wheel.

Selection Table:

Model	OMLH-2	OMLH-3	OMLH-4
Optic Size (mm)	φ 10~ φ 100	φ 5~ φ 75	φ 5~ φ 50
Optics Thickness (mm)	≤ 6		
Overall Height(mm)	151	128	100
Overall Width (mm)	138	113	87
Overall Thickness (mm)	27		
Main Body Material and Treatment	aluminium alloy, surface treated by black anodic oxidation.		
Mounting Hole	M4, 2M6		
Net Weight (g)	250	200	150

Note: The thickness means edge thickness

Related Products:



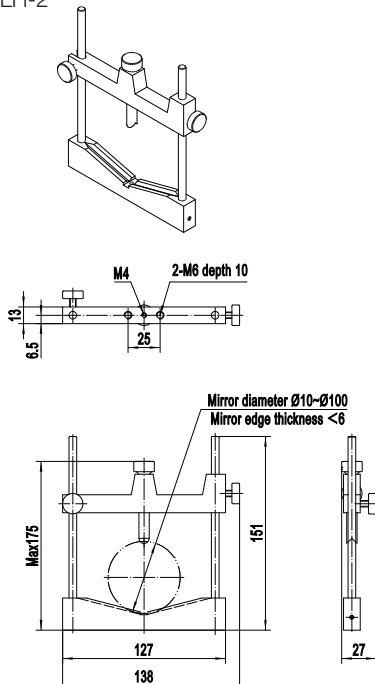
Lense



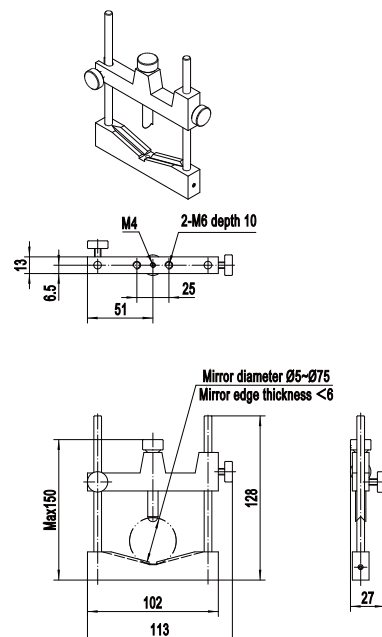
Connecting Accessories

Dimensions:

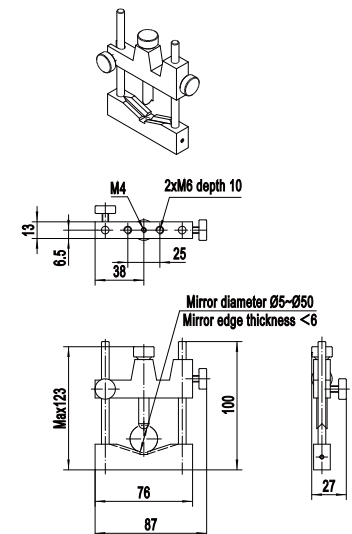
OMLH-2



OMLH-3



OMLH-4



OMLH-Z series Optical Mount for Cylindrical Lens



Brief Introduction:

OMLH-Z series optical mount for cylindrical lens especially suitable for holding cylindrical lens or other square lenses. With new four-pull spring design. It can adjust in two rotate directions, pitch and yaw in two dimensions. One side is guided by double stainless steel column, the other side is open type, clamping wide range of size. Both upper and lower parts have teflon pad, which can effectively protect the lens. Two-dimensional adjustments were made with M6 x 0.25 fine thread with high sensitivity.

Selection Table:

Model	OMLH-Z	OMLH-Z10
Optics Height(mm)	≤ 54	≤ 65
Optics Thickness (mm)	1~6	1~10
Adjustment Angle Range (°)	±3	
One Round of Screw Drive vs Angle Adjusted (°)	≈0.28	
Main Body Material and Treatment	aluminium alloy, surface treated by black anodic oxidation.	
Fixed Plate Thickness(mm)	17	
Number of Pulling Spring	4	
Mounting Hole	M6, sink hole φ8	
Net Weight (g)	175	216

Related Products:



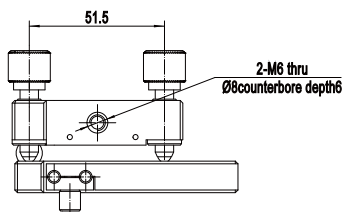
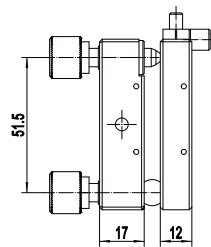
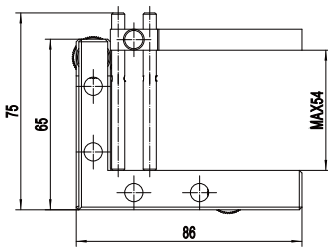
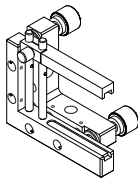
Cylindrical Lens, Square Lens



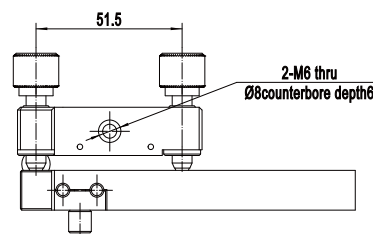
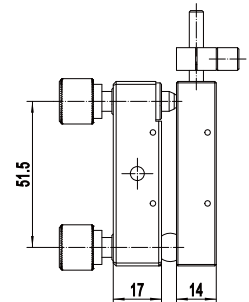
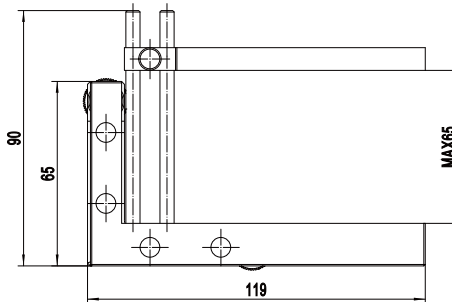
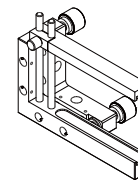
Connecting Accessories

Dimensions:

OMLH-Z



OMLH-Z10



Kinematic Mount for Polarization Components

NMPO series Kinematic Mount for Polarization Components



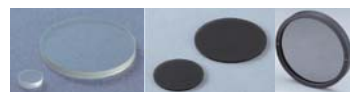
Naming Rules:

NMPO 25.4 -R

NMPO: Polarized mount

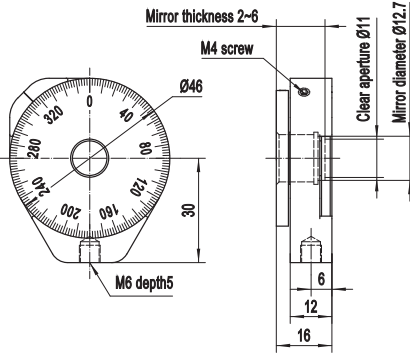
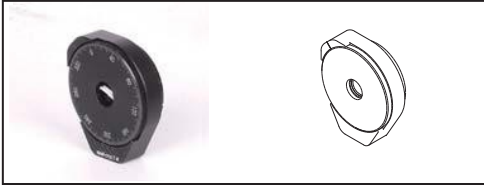
Optics Diameter:
12.7: ϕ 12.7mm
25.4: ϕ 25.4mm
30: ϕ 30mm

R: θz
3A: $\theta x \theta y \theta z$
P3A: $\theta x \theta y \theta z$

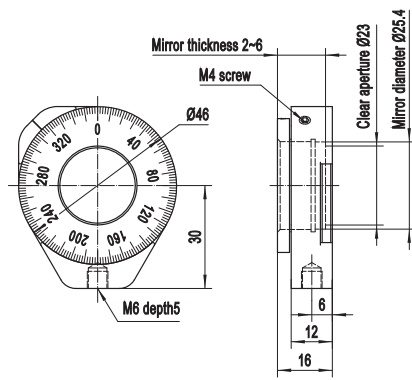
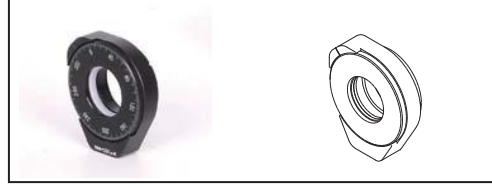


Dimensions :

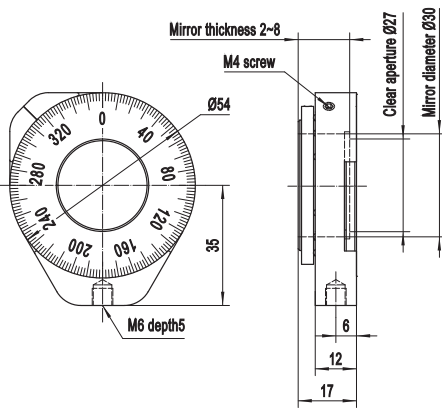
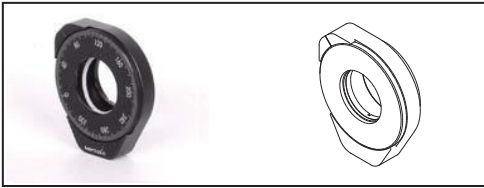
NMPO12.7-R



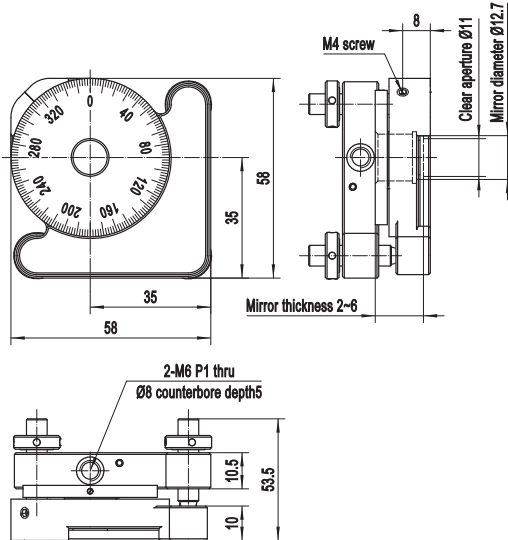
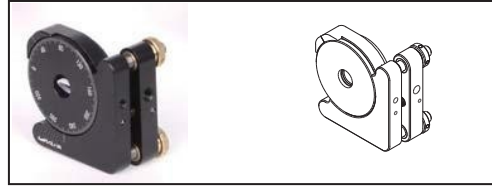
NMPO25.4-R



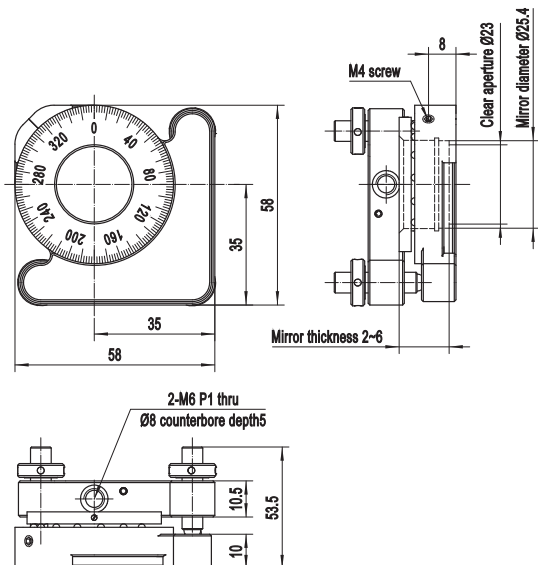
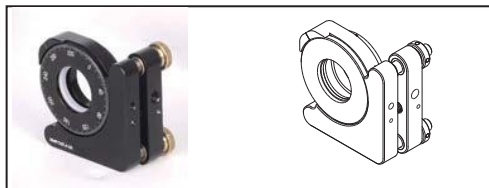
NMPO30-R



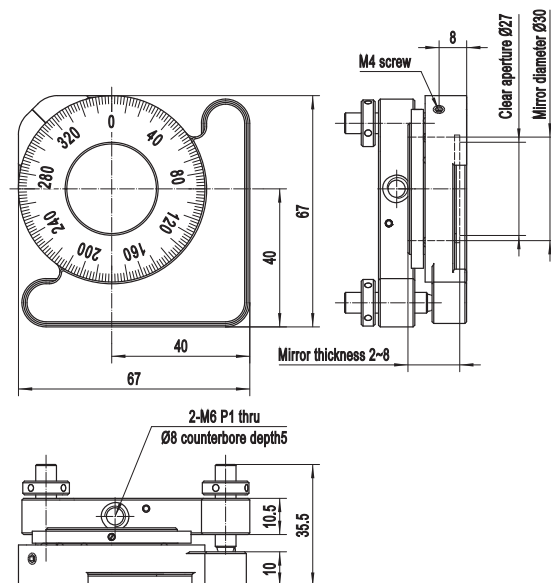
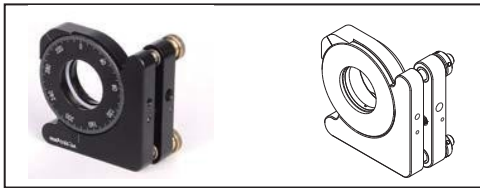
NMPO12.7-3A



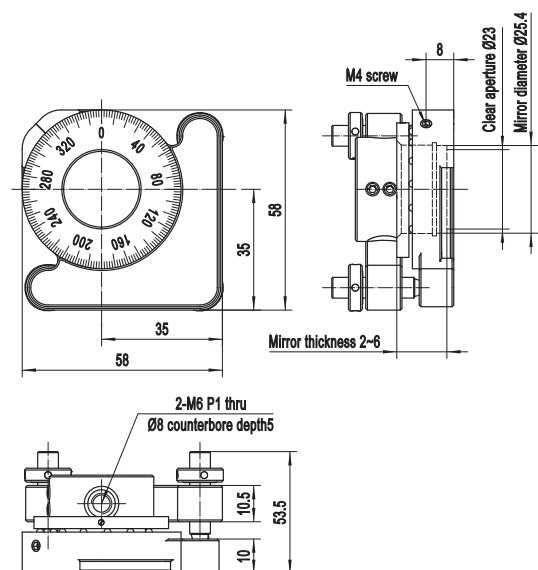
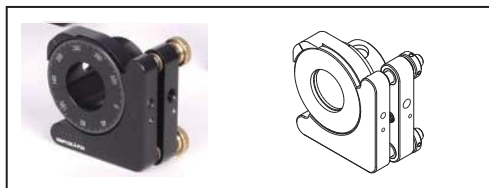
NMPO25.4-3A



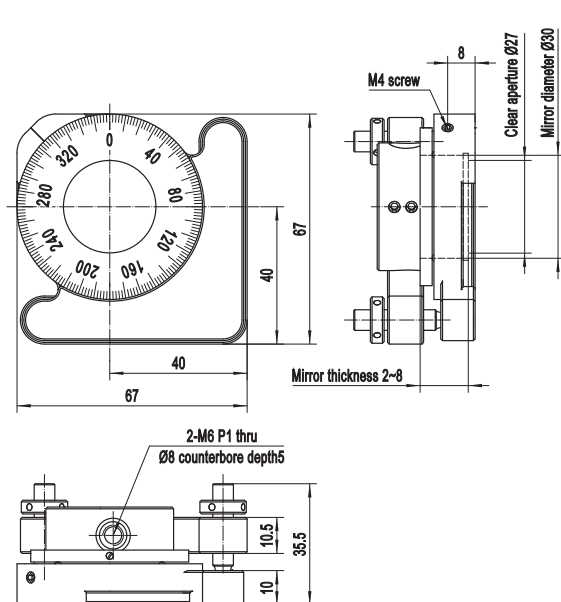
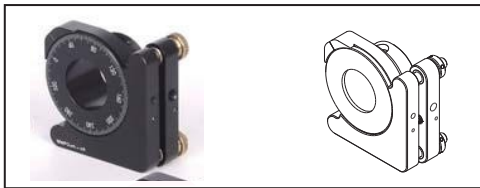
NMPO30-3A



NMPO25.4-P3A



NMPO30-P3A



Filter is an optical device used to select the required radiation band. It is widely used in surveillance system, medical equipment, optical detection, optical instruments, digital cameras and other fields. The basic requirement is fixing stable operation simple.

NF series Filter Mount



Brief Introduction:

NF series filter mount is the "N series" new design optics mount

Features:

- High-quality materials: The main body is made of high-quality aluminium alloy, and the surface treated by black anodic oxidation.
- Advanced structure:
 - ① Smoothly driven by grind worm;
 - ② Attached with teflon, protect the filter coating;
 - ③ Compact and cost effective
- High stability: Self-locked by the grind worm driver, stable and easy to use
- Universal mounting holes: M4, M6 screw holes



Selection Table:

Model	NF25.4	NF50.8
Optics Size (mm)	φ 25.4 or 25.4×25.4	φ 50.8 or 50.8×50.8
Optics Thickness (mm)	1~5	1~10
Overall Width (mm)	24	40
Overall Thickness (mm)	30	28
Overall Height(mm)	18	32
Main Body Material and Treatment	aluminium alloy, surface treated by black anodic oxidation.	
Mounting Hole	M4	M6, M4
Weight (g)	20	95

Related Products:



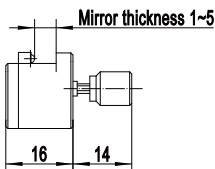
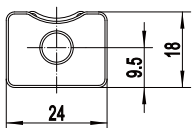
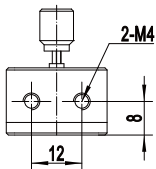
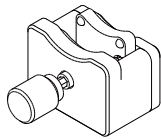
Filters



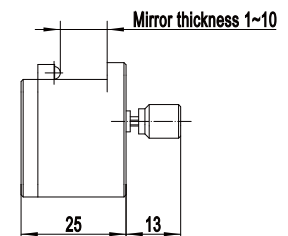
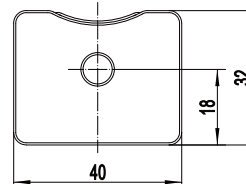
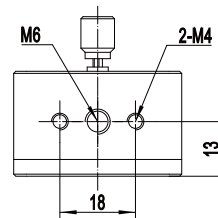
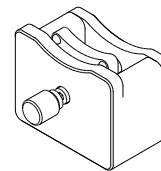
Connecting Accessories

Dimensions:

NF25.4



NF50.8

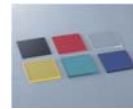


NFH series Filter Mount



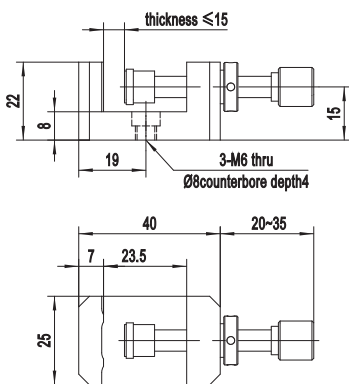
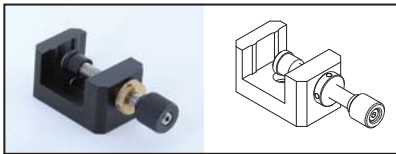
Selection Table:

Model	NFH15-25	NFH15-75
Optics Thickness(mm)	≤ 15	
Height(mm)	22	
Pitch(mm)	1	
Lock-Mechanism	yes	
Mounting Hole	M6, Counterbore φ 8	
Weight(g)	58	155

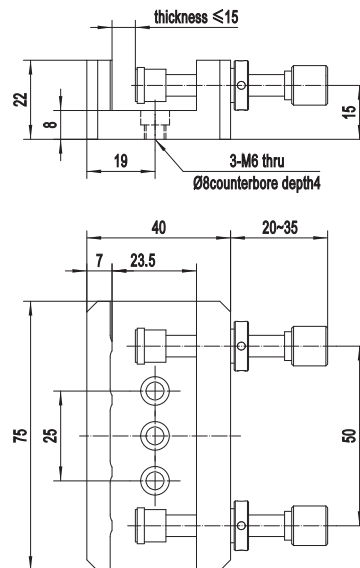
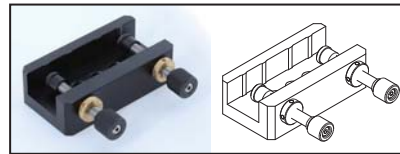


Dimensions:

NFH15-25



NFH15-75



OMMB-NDFC50 series Gradient ND Filter Wheel



Brief Introduction:

OMMB-NDFC50 filter wheel designed for NDFC50 series gradient ND filter

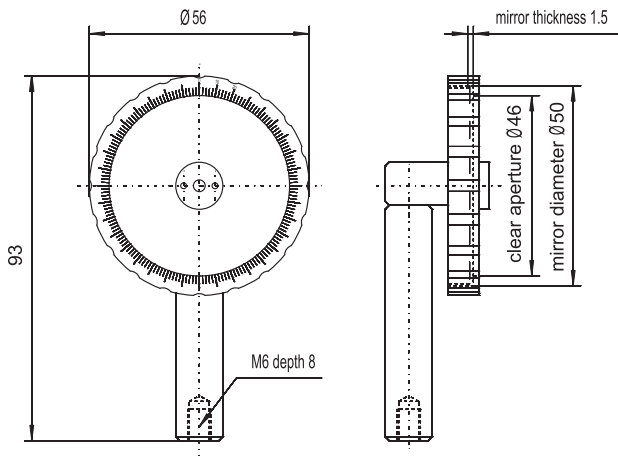
Features:

- High-quality materials: The main body is made of high-quality aluminium alloy, and the surface treated by black anodic oxidation.
- Advanced structure:
 - ① Teflon O ring fix and protect the gradient ND filter
 - ② Fixing ring frame has a scale, which corresponds to different attenuation values. ND value can be adjusted quickly
- Universal mounting : Standard with ϕ 12mm post, has M6 thread hole at the bottom for extension

Selection Table:

Model	OMMB-NDFC50	OMMB-NDFC5010	OMMB-NDFC5020	OMMB-NDFC5030
Include:	ND filter mount without filter	OMMB-NDFC50 × 1 NDFC5010 × 1	OMMB-NDFC50 × 1 NDFC5020 × 1	OMMB-NDFC50 × 1 NDFC5030 × 1
Optical Density(OD)	/	0.0~1.0	0.0~2.0	0.0~3.0
Wavelength Range(nm)	/	400~1000		
Filter Diameter(mm)	/	ϕ 50		
Optic Center Height (mm)	65			
Overall Height(mm)	93			
Overall Thickness (mm)	26.5			
Main Body Material and Treatment	aluminium alloy, surface treated by black anodic oxidation.			
Mounting Hole	M6			
Net Weight (g)	43	50		

Dimensions:



Related Products:



Round Gradient ND Filter



Connecting Accessories



Brief Introduction:

MFW series filter wheel using for mount many filters and fast switch manually

Features:

- High-quality materials: The main body is made of high-quality aluminium alloy, and the surface treated by black anodic oxidation.
- Advanced structure :
 - ① Mount many filters and fast switch in manually
 - ② Each position has limiting mechanism ,switch high repeatability
 - ③ Dual wheel structure suitable for many ND filters combine with many bandpass filters
 - ④ Dual locking method fixing the filters
- Universal mounting : M6 mounting thread and ϕ 11mm long slot for easy mounting

Model	MFW6-25	MFW12-25
Optic Size (mm)	ϕ 25/ ϕ 25.4	
Optics Thickness (mm)	1~6	
Clear Aperture (mm)	ϕ 22	
Filter Slot Number	6	12
Optic Center Height (mm)	50	
Overall Width (mm)	82	
Overall Thickness (mm)	44.5	49
Main Body Material and Treatment	aluminium alloy, surface treated by black anodic oxidation.	
Mounting Hole	2*M4 M6,2*M4	
Net Weight (g)	190	270

Related Products:



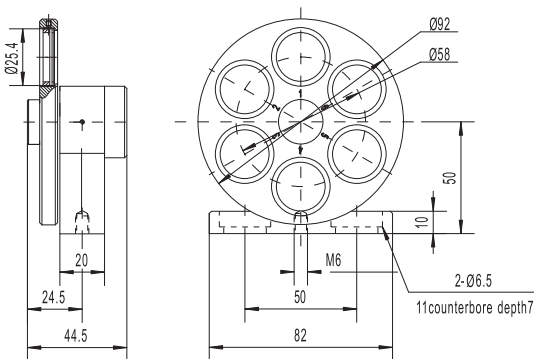
Filters



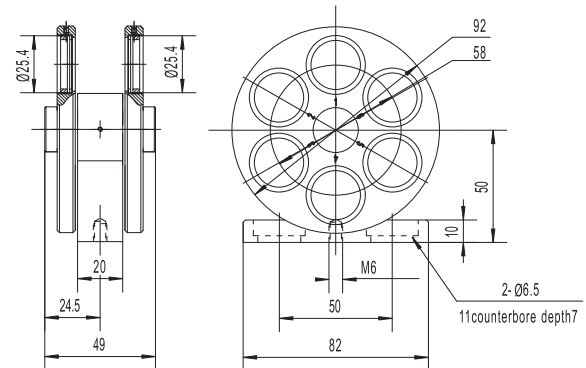
Connecting Accessories

Dimensions:

MFW6-25



MFW12-25



OMHS-PM series Prism Kinematic Mount



Brief Introduction:

OMHS-PM has improved design than OMHS.

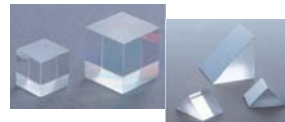
Features:

- High-quality materials: The main body is made of high-quality aluminium alloy, and the surface treated by black anodic oxidation.
- Advanced structure:
 - ① 2D tilt and 1D translation adjustment.
 - ② Well calculated pulling force ,keep uniform of the force and stable.
 - ③ Hold the prism by an elastic mechanism with adjustable height
 - ④ Cross line on the platform , more easy to position the optics
- High sensitivity:3pcs 0.25mm fine thread makes the 3D adjustment precise.
- Universal mounting : M4, M6 mounting thread

Selection Table:

Model	OMHS-PM30	OMHS-PM60
Max Load height (mm)	30	60
Plate Form Size(mm)	44×44	74×74
Adjustment Angle Range (°)	±3	
Front Plate Translation (mm)	MAX6	
One Round of Screw Drive vs Angle Adjusted (°)	≈0.39	≈0.25
Main Body Material and Treatment	aluminium alloy, surface treated by black anodic oxidation.	
Overall Height(mm)	57.5	92.5
Fixed Plate Thickness(mm)	18	
Number of Pulling Spring	4	
Mounting Hole	M6, φ 8sink hole	
Net Weight (g)	160	240

Related Products:



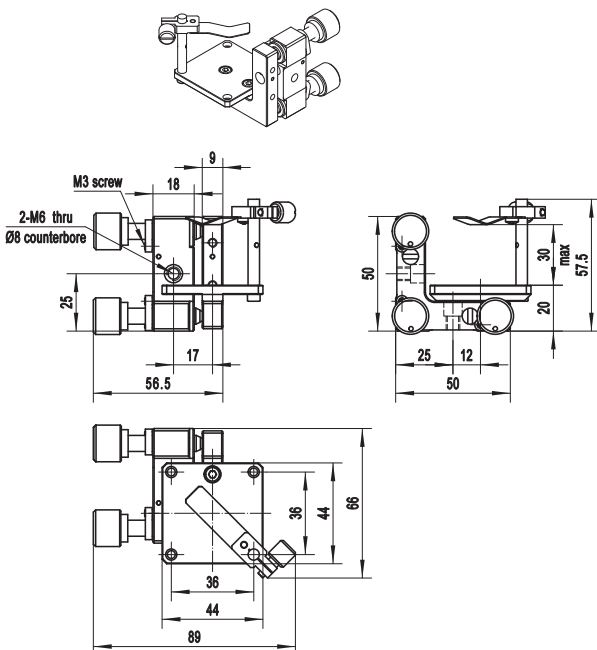
Cube, Prism



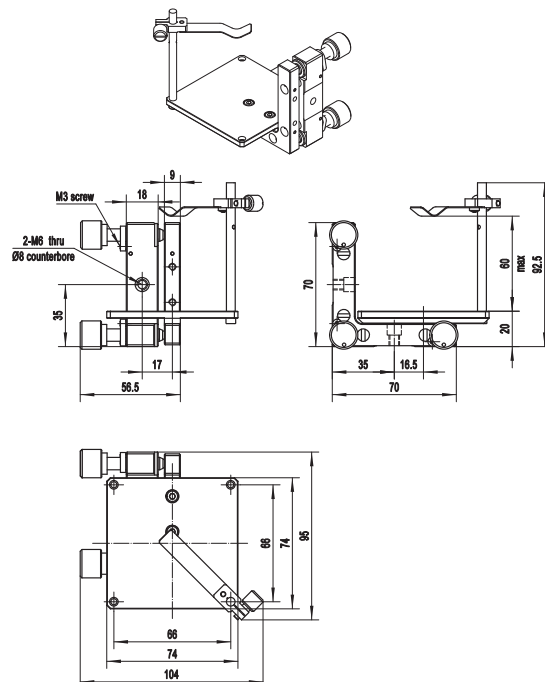
Connecting Accessories

Dimensions:

OMHS-PM30



OMHS-PM60



NPM series Prism Kinematic Mount



Brief Introduction:

NNPM is "N series" prism kinematic mount

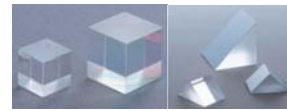
Features:

- High-quality materials: The main body is made of high-quality aluminium alloy, and the surface treated by black anodic oxidation.
- Advanced structure:
 - ① 2D tilt and 1D rotation adjustment with side thumb drive.
 - ② Hold the prism by an elastic mechanism with adjustable height
 - ③ Cross Line on the platform , more easy to position the optics
- High sensitivity: 3pcs 0.25mm fine thread makes the 3D adjustment precise.

Selection Table:

Model	NPM-30	NPM-60	
Max Load Height(mm)	30	60	
Plate Form Sizemm)	φ 62	φ 70	
Adjustment Angle Range	Tilt(°)	±3	
	Tilt(°)	±3	
	Rotaiton(°)	±5	Raw adjust 360, fine tuning +/-5
Max Load Height(mm)	MAX30	MAX60	
One Round of Screw Drive vs Angle Adjusted (°)	Tilt(°)	≈0.76	≈0.39
	Tilt(°)	≈0.76	≈0.45
	Rotaiton(°)	≈0.82	≈0.57
Main Body Material and Treatment	aluminium alloy, surface treated by black anodic oxidation.		
Overall Height(mm)	65	109	
Mounting Hole	M6	M6, 4 ↑ M4	
Net Weight (g)	180	475	

Related Products:



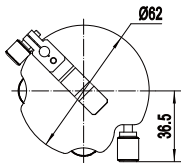
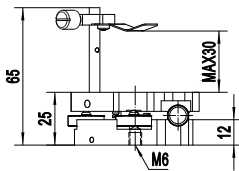
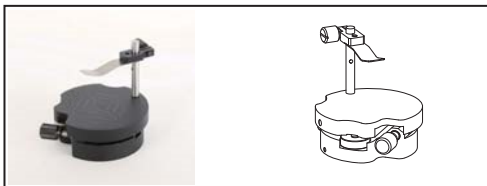
Cube, Prism



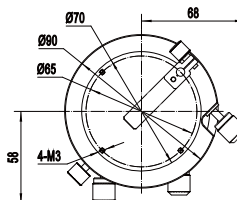
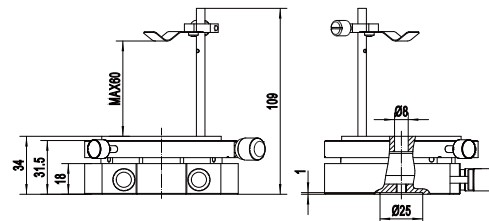
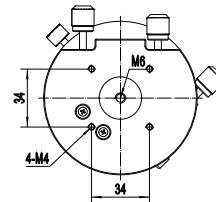
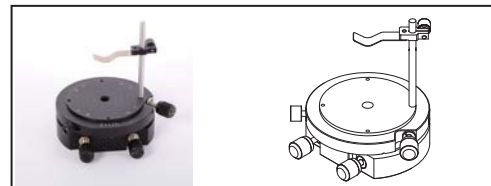
Connecting Accessories

Dimensions:

NPM-30



NPM-60



NCM series V Clamp Kinematic Mount



Features:

- High-quality materials: The main body is made of high-quality aluminium alloy, and the surface treated by black anodic oxidation.
- Advanced structure:
 - ① Fine thread mechanism, high sensitivity and stable
 - ② Four pulling springs ,more uniform and more stable
 - ③ V clamp and one press arm hold the cylinder in stable three point
 - ④ Slit pressing fixing mechenism , hold the position stable.
- High sensitivity:3pcs 0.25mm fine thread makes the 3D adjustment pricise.
- Dual adjustment mechanics: Adjusting thread pair come with inner-hexagonal adjusting hole behind. can coupled with standard thumb wheel or Inner hexagon spanner, for better adjustment sensitivity and also larger angle range.
- Universal mounting :
 - ① Mount the cylinder 6-40mm Dia.
 - ② M4 (from top) M6 (at the bottom) mounting thread

Brief Introduction:

NCM is "N series" V clamp kinematic mount for the cylinder.

Selection Table:

Model	NCM20	NCM40
Optic Size (mm)	φ 6~ φ 20	φ 10~ φ 40
Adjustment Angle Range (°)	±3	
Front Plate Translation (mm)	MAX6	
One Round of Screw Drive vs Angle Adjusted (°)	≈0.32	≈0.2
Main Body Material and Treatment	aluminium alloy, surface treated by black anodic oxidation.	
Overall Height(mm)	57.5	79
Fixed Plate Thickness(mm)	18	
V Groove Width(mm)	15	38
Number of Pulling Spring	4	
Locking Mechanics	Yes	
Mounting Hole	M6, sink hole φ 8	
Net Weight (g)	170	230

Related Products:



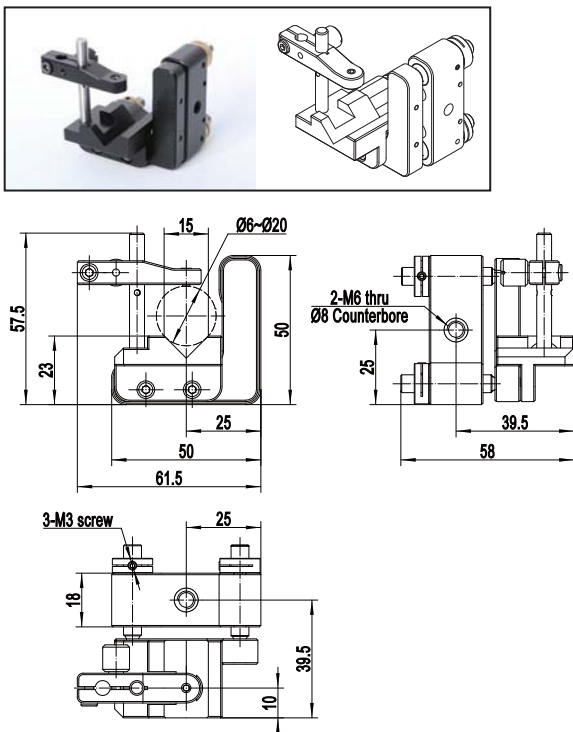
Cylinder



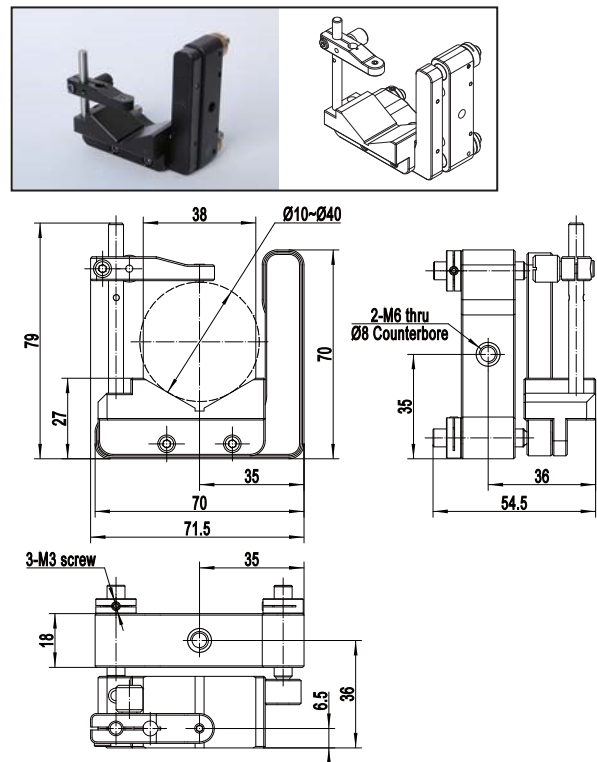
Connecting Accessories

Dimensions:

NCM20



NCM40



NCC series V Clamp Kinematic Mount

AL
2024



Brief Introduction:

NCC is "N series" V groove kinematic mount for the cyl-inder such as gradient index lens, cylinder laser, fiber collimator.

Features:

- High-quality materials: The main body is made of high-quality aluminium alloy, and the surface treated by black anodic oxidation.
- Advanced structure:
 - ① V clamp and one press arm hold the cylinder in stable three point
 - ② Slit pressing fixing mechanism, hold the position stable.
- Universal mounting : Mount the cylinder 6-40mm Dia.

Selection Table:

Model	NCC10	NCC20	NCC50
Optic Size (mm)	φ 2~ φ 10	φ 5~ φ 20	φ 15~ φ 50
Main Body Material and Treatment	aluminium alloy, surface treated by black anodic oxidation.		
Overall Height(mm)	33.5	47	81
Overall Width (mm)	20	45.5	62.5
V Groove Width (mm)	8.5	14.5	48
Mounting Hole	M4	M4	sink hole φ 11
Net Weight (g)	15	38	375

Related Products:



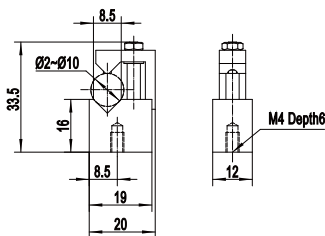
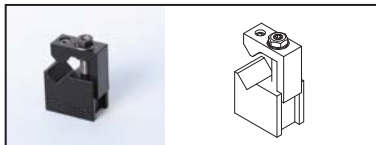
Cylinder



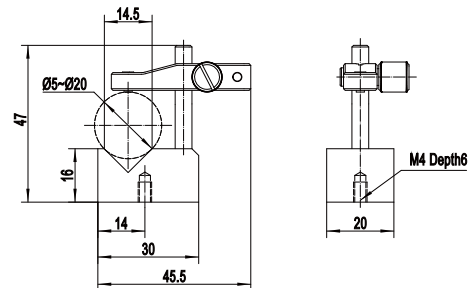
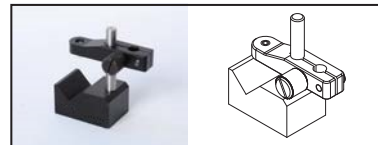
Connecting Accessories

Dimensions:

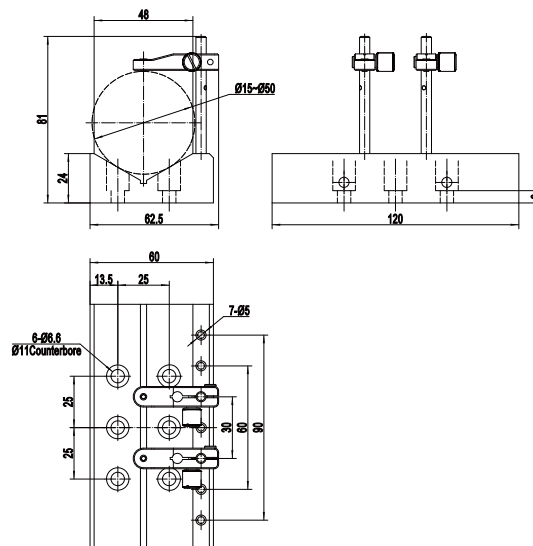
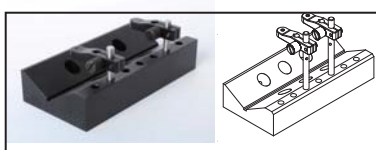
NCC10



NCC20



NCC50



PHLM series Cylinder Laser Tube Kinematic Mount



Brief Introduction:

Cylinder laser tube kinematic mount design for the HeNe laser tube or other lasers with cylinder tube, for more simple in tuning and stable of holding.

Features:

- High-quality materials: The main body is made of high-quality aluminium alloy, and the surface treated by black anodic oxidation.
- Advanced structure:
 - ① The thumb wheel drive hold the laser tube position in three points
 - ② Teflon attachment poings, keep the laser tube surface save.
- Universal mounting : Mount the cylinder 5-60mm Dia.

Selection Table:

Model	PHLM-1	PHLM-2	PHLM-3	
Optic Size (mm)	φ 5~ φ 60	φ 25~ φ 45	φ 25~ φ 45	
Adjustment Angle Range (°)	±5	/	±3	
One Round of Screw Drive vs Angle Adjusted (°)	Tilt(°)	≈0.08	/	≈0.23
	Tilt(°)	≈0.36	/	≈0.24
Main Body Material and Treatment	aluminium alloy, surface treated by black anodic oxidation.			
Overall Height(mm)	150	62	72	
Mounting Hole	sink hole φ 11			
Net Weight (g)	780	450	650	

Related Products:



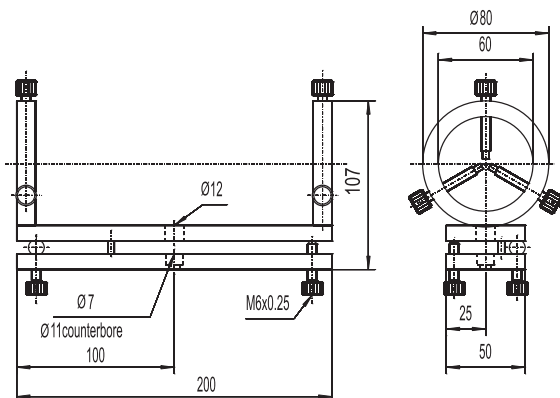
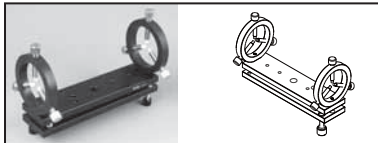
He-Ne laser or other cylinders



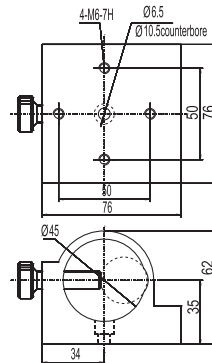
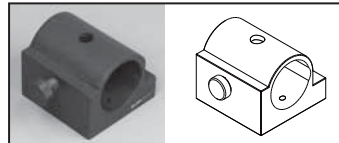
Connecting Accessories

Dimensions:

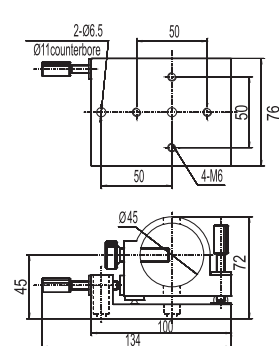
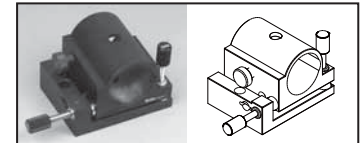
PHLM-1



PHLM-2



PHLM-3



The laser beam expanders, microscope objectives, C-mount Lens has special intergrface.

OMHS series Special Kinematic Mount



Brief Introduction:

Base on the OMHS structure, kinematic mount with the interface to the laser beam expanders, microscope objectives, C-mount Lens



Features:

- High-quality materials: The main body is made of high-quality aluminium alloy, and the surface treated by black anodic oxidation.
- Advanced structure:
 - ① Fine thread mechanism, high sensitivity and stability
 - ② Dual pulling springs ,more uniform and more stable
- High sensitivity:3pcs 0.25mm fine thread makes the 3D adjustment pricise.
- Universal mounting : M4 (from top) M6 (at the bottom) mounting thread

Selection Table:

Model	OMHS-LBE22	OMHS-WJ	OMHS-Cmount
Number of Tuning Axis	3D	3D	3D
Interface size A	M22×0.75	4/5" -1/36	1" -1/32
Tilt Adjust Range	Tilt(°)	±3	
	Tilt(°)	±3	
Translation Range (mm)		MAX6	
One Round of Screw Drive vs Angle Adjusted (°)	Tilt(°)	≈0.39	
	Tilt(°)	≈0.39	
Main Body Material and Treatment	aluminium alloy, surface treated by black anodic oxidation.		
Optic Center Height (mm)		25	
Fixed Plate Thickness(mm)		18	
Number of Pulling Spring		2	
Mounting Hole		M6, sink hole φ8	
Net Weight (g)	135	140	135

Related Products:



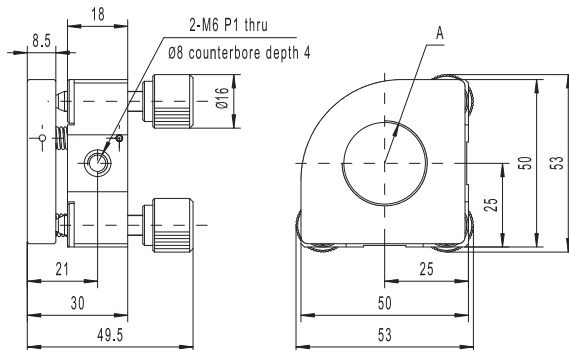
Laser Beam Expanders, Microscope Objectives, C-mount Lens



Connecting Accessories

Dimensions:

OMHS-LBE22/WJ/Cmount





Brief Introduction:

OMxA kinematic mount add more tuning axis on the kinematic mount , complete up to 6 axis functions.

Features:

- High-quality materials: The main body is made of high-quality aluminium alloy, and the surface treated by black anodic oxidation.
- Advanced structure :
 - ① Fine thread mechanism, high sensitivity and stability
 - ② Four pulling springs ,more uniform of pulling force and more stable
- High sensitivity: 0.25mm fine thread makes the 3D adjustment precise.
- Universal mounting :
 - ① Standard mounting hole M22×0.75
 - ② 4-6 axis adjustment dimensions
 - ③ M4 (from top) M6 (at the bottom) mounting thread
 - ④ Mount with MAD series interface for universal using

Selection Table:

Model		OM4A-LBE22	OM5A-LBE22	OM6A-LBE22
Number of Tuning Axis		4D	5D	6D
Tuning Range	Tilt(°)	±3		
	Tilt(°)	±3		
	Rotaiton(°)	/	/	360
	X-axis(mm)	±2		
	Y-axis(mm)	±2		
	Z-axis(mm)	/	6	6
Optic Center Height (mm)		31	31	35
One Round of Screw Drive vs Angle Adjusted(°)	Tilt(°)	≈0.31	≈0.31	≈0.27
	Tilt(°)	≈0.31	≈0.31	≈0.27
Main Body Material and Treatment		aluminium alloy, surface treated by black anodic oxidation		
Fixed Plate Thickness(mm)		16		
Number of Pulling Spring		4		
Mounting Hole		M6, φ 8sink hole		
Net Weight (g)		215	245	245

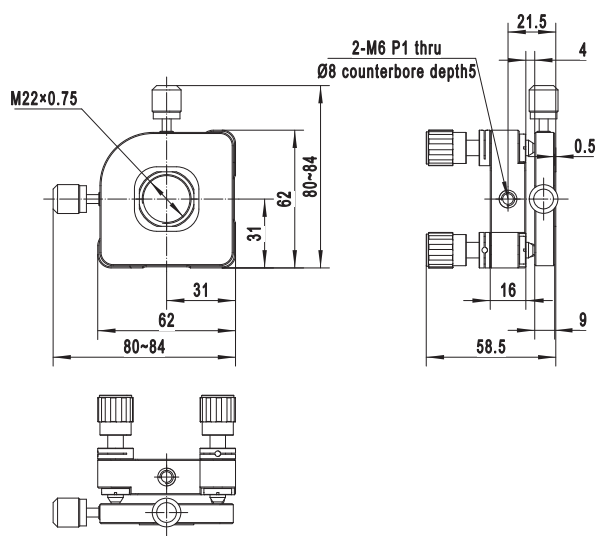
Related Products:



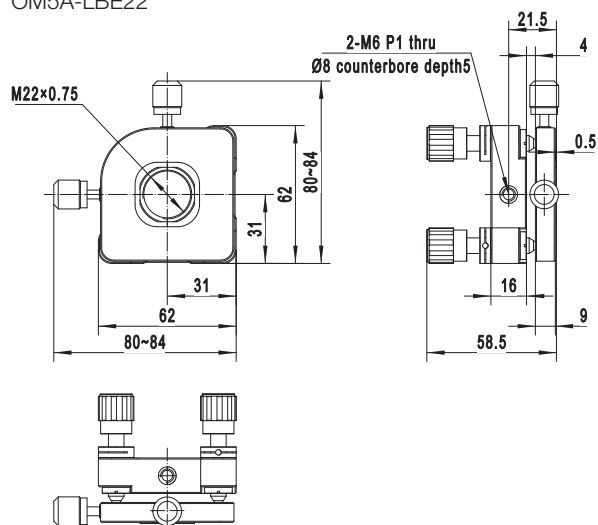
Connecting Accessories

Dimensions:

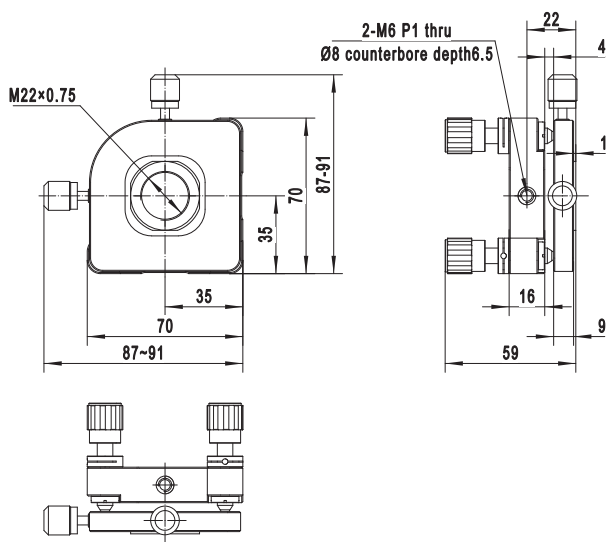
OM4A-LBE22



OM5A-LBE22



OM6A-LBE22



MAD series Adaptors for OMx A Kinematic Mount

Brief Introduction:

MAD are adaptor for OMx A kinematic mount ,connect different kind of microscope objectives, laser beam expanders, C-mounts etc.

Features:

- High-quality materials: The main body is made of high-quality aluminium alloy, and the surface treated by black anodic oxidation.
- Easy connect : Using standard M22*0.75 thread
 - ① Fine thread mechanism, high sensitivity and stability
 - ② Four pulling springs ,more uniform of pulling force and more stable
- Universal mounting :
 - ① Standard mounting hole M22×0.75
 - ② 4-6 axis adjustment dimensions
 - ③ M4 (from top) M6 (at the bottom) mounting thread
 - ④ Mount with MAD series interface for universal using

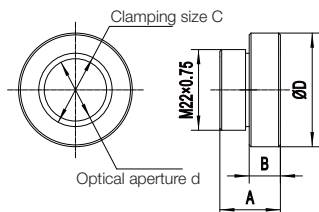


Selection Table:

Model	mount items	Overall Thickness A(mm)	Front Plate Thickness B(mm)	Optics Thickness C(mm)	Overall Diameter D(mm)	Clear Aperture d(mm)	Interface Size(mm)
MAD-M22-12.7	φ 12.7mm lens (φ 12.5mm Unicersial)	16.5	8.5	φ 12.5/ φ 12.7	φ 30	φ 11	M22×0.75
MAD-M22-20	φ 20mm lens			φ 20	φ 36	φ 17	
MAD-M22-25.4	φ 25.4mm lens (φ 25mm unicersial)			φ 25/ φ 25.4	φ 42	φ 17	
MAD-M22-OL	microscope objective			4/5" -1/36	φ 31	φ 17	
MAD-M22-Cmount	C-mount lens			1" -1/32	φ 31	φ 17	
MAD-M22-6.35	fiber (bare fiber, adapt for APFCH)			φ 6.35	φ 31	/	
MAD-M22-FC	Fiber (FC connector)			FC connector	φ 31	/	
MAD-M22-SC	Fiber (SC connector)			SC connector	φ 31	/	
MAD-M22-ST	Fiber (ST connector)			ST connector	φ 31	/	
MAD-M22-SMA905	Fiber (SM905 connector)			SMA905connector	φ 31	/	
MAD-M22-LD12	LED			φ 12	φ 31	/	

Dimensions:

MAD-M22-xx



NASF series Spatial Filter



AL 2024 3-Axes 5-Axes 0.25mm Pitch

Naming rules:

NASF 13 - 3A

NASF(New Adjustable Spatial Filter)

Objective travel: 13:13mm

Axis: 3A:three axis 5A:Five axis



Selection Table:

Model	NASF13-3A	NASF13-5A
Angle(°)	/	±3
Objective Range(mm)	13	
XY Axis Adjustment Range(mm)	±1	
Center Height(mm)	35	47
Objective	X4、X10、X20、X40、X60、X100	
Pin-hole Diaphragm	NASF13-GD	
Lock-mechanism	Yes	
Mounting Hole	3xM6	
Weight(g)	270	380

NASF-GD series Pin-hole Diaphragm



Selection Table :

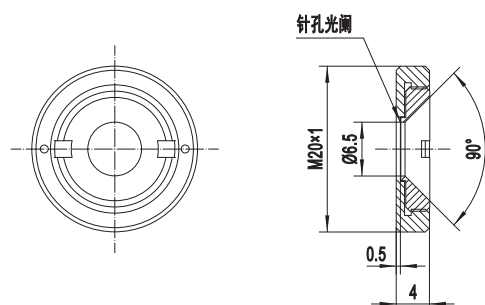
0.005mm	0.01mm	0.015mm	0.02mm	0.025mm	0.03mm	0.04mm
0.05mm	0.06mm	0.07mm	0.08mm	0.1mm	0.15mm	0.2mm

Related products :



NASF Spatial Filter

Dimensions :



APID series Adjustable Iris Diaphragm



Brief Introduction:

The advantage of using adjustable iris diaphragm as spatial filter is that the size of the central hole is continuously adjustable.

It is easier to make part of the frequency component pass through the frequency plane, and block other frequency components, thus changing.

Frequency component of image on image plane.

APID series adjustable diaphragms are similar in structure to the diaphragm behind the camera lens and are also made up of multiple arcs.

Selection Table:

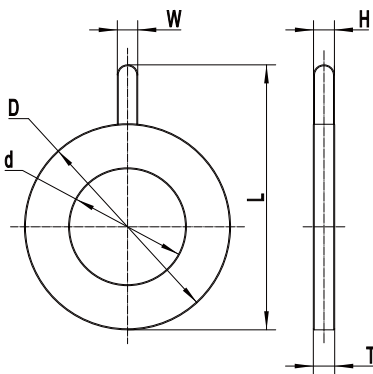
Standard Adjustable Iris Diaphragm

Model	APID12-1	APID22-1	APID25-1	APID42-1
Adjustable Diameter Range d(mm)	$\phi 1.5 \sim \phi 12$	$\phi 1.5 \sim \phi 22$	$\phi 1.5 \sim \phi 25$	$\phi 2.5 \sim \phi 42$
Out Ring Diameter D(mm)	$\phi 19.5$	$\phi 33$	$\phi 37$	$\phi 58$
Main Body Material and Treatment	aluminium alloy, surface treated by black anodic oxidation.			
Blade Material	Black Spring steel			
Number of Blade	11	14	13	18
Handle Diameter W(mm)	$\phi 1.5$	$\phi 3$	$\phi 3$	$\phi 3$
Overall Height L(mm)	23	45.5	49	70
Overall Thickness T(mm)	5	5.5	5.5	6.6
Net Weight (g)	7	20	25	40

Zero-Aperture Adjustable Iris Diaphragm

Model	APID25Z	APID42Z	APID50Z	APID100Z
Adjustable Diameter Range d(mm)	0~ $\phi 25$	0~ $\phi 42$	0~ $\phi 50$	0~ $\phi 100$
Out Ring Diameter D(mm)	$\phi 44.5$	$\phi 64.5$	$\phi 78$	$\phi 142$
Main Body Material and Treatment	aluminium alloy, surface treated by black anodic oxidation.			
Blade Material	Black Spring steel			
Number of Blade(dual layers)	2×7	2×9	2×9	2×10
Handle Diameter W×H(mm)	4.5×4.5	4.5×4.5	5×4.5	15×4.5
Overall Height L(mm)	57	81	98	168
Overall Thickness T(mm)	4.5	5	5.2	7.6
Net Weight (g)	35	50	60	180

Dimensions:



Holder for APID series



Brief Introduction:

There are two type of seat for APID serie adjustable iris diaphragm; one is half-moon open structure (GD).The Iris diaphragm is clamped by two locking handwheels, which is simple in structure and easy to use.

The other is enclosed packaging structure (AGD series), which places the adjustable diaphragm inside the diaphragm seat, the diaphragm outer ring has a scale for reading just for reference, because of it is not linear between the iris area change and the scale.

Selection Table:

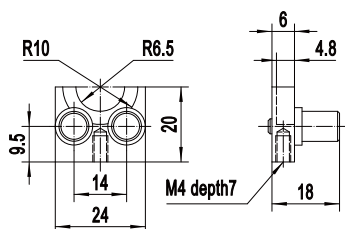
APIDxx-GD series

Model	APID12-GD	APID22-GD	APID25-GD	APID42-GD
Adapt for Model of Iris Diaphragm	APID12-1	APID22-1	APID25-1	APID42-1
Optic Center Height (mm)	20	27	29	39
Main Body Material and Treatment	aluminium alloy, surface treated by black anodic oxidation.			
Overall Height(mm)	20	23	23	34
Overall Width (mm)	24	48	48	78.5
Overall Thickness (mm)	18	20	20	22
Mounting Hole	M4	M6	M6	M6
Weight (g)	8.5	22.5	21.5	38.5

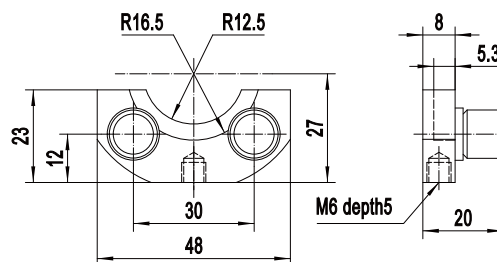
Note: The iris diaphragm should be ordered seperately

Dimensions:

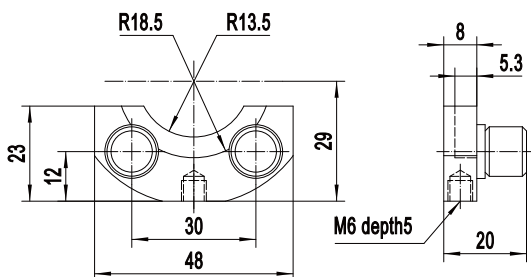
APID12-GD



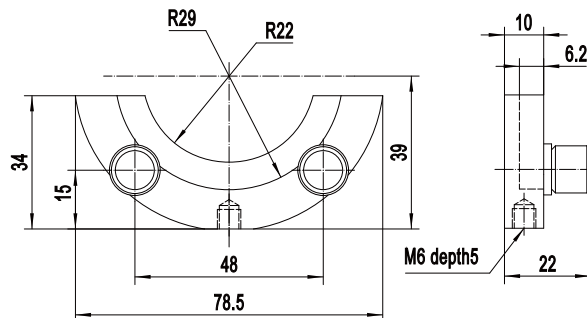
APID22-GD



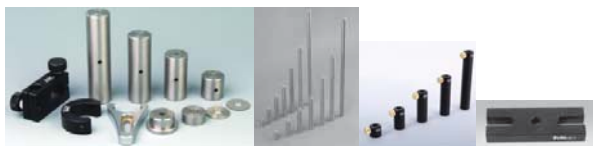
APID25-GD



APID42-GD



Related Products:



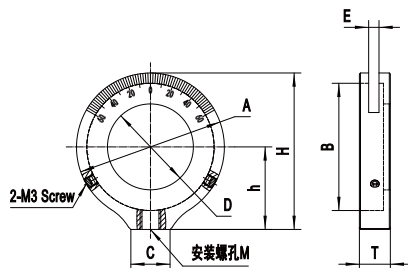
Connecting Accessories

APIDxx-AGD series

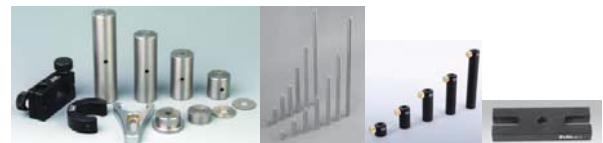
Model	APID12-AGD	APID22-AGD	APID25-AGD	APID42-AGD
Adapt for Model of Iris Diaphragm	APID12-1	APID22-1	APID25-1	APID42-1
Scale Range(°)	± 60			
Optic Center Height (mm)	15.3	22	24	34.5
Main Body Material and Treatment	aluminium alloy, surface treated by black anodic oxidation.			
Out Ring Diameter A(mm)	φ 25.5	φ 39	φ 43	φ 64
Iris Diaphragm Outline Diameter B(mm)	φ 19.5	φ 33	φ 37	φ 58
Feet Width C (mm)	8	12	12	12
Max Iris Diameter D (mm)	φ 12	φ 22	φ 25	φ 42
Overall Height H(mm)	28	41.5	45.5	66.5
Overall Thickness T(mm)	7	9	9	9
Open Slit Width on The Top E (mm)	2.5	3	3	3
Mounting Hole	M4	M6	M6	M6
Net Weight (g)	5	11	12.5	21

Note: The iris diaphragm should be ordered separately

APIDxx-AGD



Related Products:



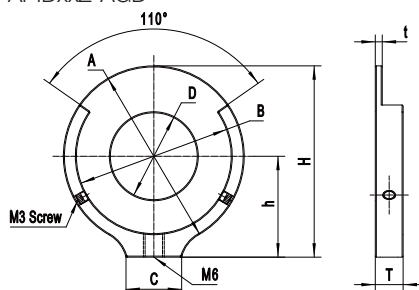
Connecting Accessories

APIDxx-AGD series

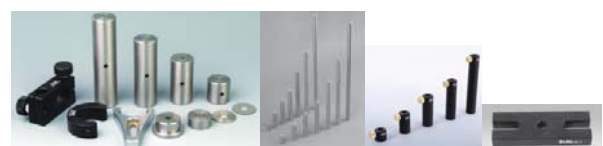
Model	APID25Z-AGD	APID42Z-AGD	APID50Z-AGD	APID100Z-AGD
Adapt for Model of Iris Diaphragm	APID25Z	APID42Z	APID50Z	APID100Z
Scale Range(°)	± 60			
Main Body Material and Treatment	aluminium alloy, surface treated by black anodic oxidation.			
Out Ring Diameter A(mm)	φ 52	φ 72	φ 86	φ 150
Iris Diaphragm Outline Diameter B(mm)	φ 44.5	φ 64.5	φ 78.5	φ 142.5
Feet Width C(mm)	16	20	20	30
Max Iris Diameter D (mm)	φ 25	φ 42	φ 50	φ 100
Overall Height H(mm)	56	76	91	155
Optical Center Height h(mm)	30	40	48	80
Overall Thickness T(mm)	8	8	8	10
Top Parts Thickness t(mm)	2			
Mounting Hole	M6			
Net Weight (g)	17	25	35	90

Note: the Iris Diaphragm Should be ordered separately

APIDxxZ-AGD

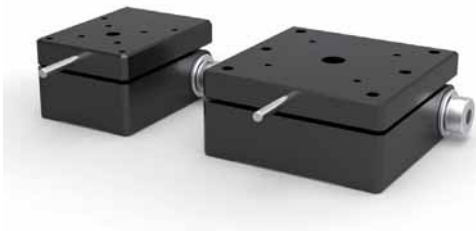


Related Products:



Connecting Accessories

NOS series Optics Pack Switch



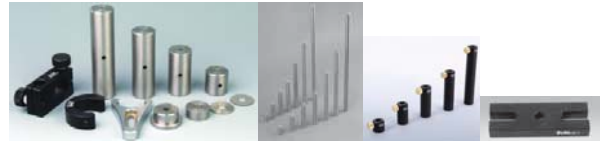
Brief Introduction:

NOS series optics pack switch using for fast move in and move out different optics pack with high repeatability.

Selection Table:

Model	NOS25	NOS40
Main Body Material and Treatment	aluminium alloy, surface treated by black anodic oxidation.	
Overall Height(mm)	18.5	
Overall Length(mm)	47	52
Overall Width (mm)	35	50
Mounting Hole	M4, counterbore ϕ 6	M6, counterbore ϕ 7.5
Net Weight (g)	45	80

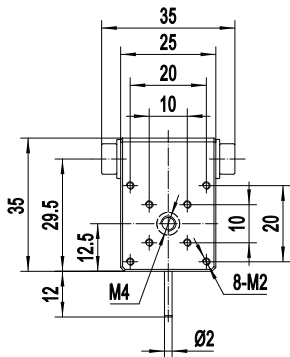
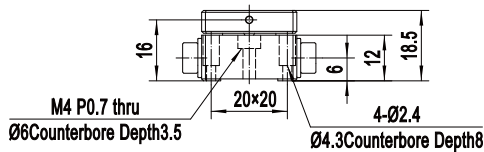
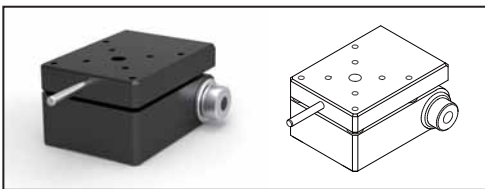
Related Products:



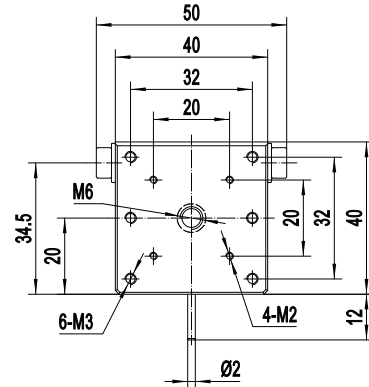
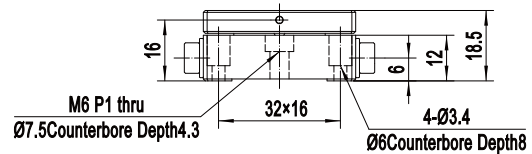
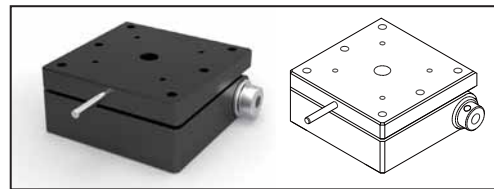
Connecting Accessories

Dimensions:

NOS25



NOS40



ABC series Beam Damper



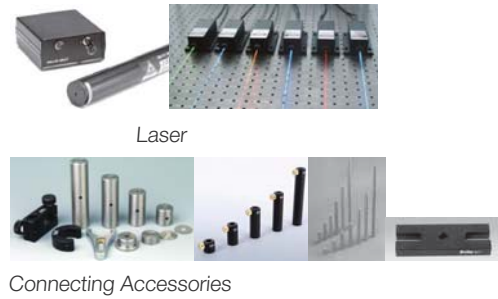
Brief Introduction:

ABC series beam damper mainly using for damping the useless laser beam, inside the damper has anti-reflection structures, to avoid unnessassary laser beam affect the experiment or harm the human being.

Selection Table:

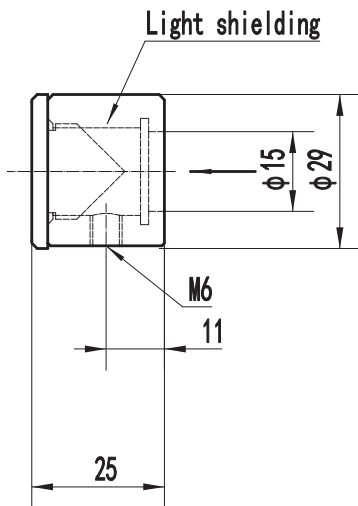
Model	ABC-15	ABC-35
Internal Diameter (mm)	$\phi 15$	$\phi 35$
Main Body Material and Treatment	aluminium alloy, surface treated by black anodic oxidation.	
External Diameter (mm)	$\phi 29$	$\phi 49$
Overall Thickness (mm)	25	50
Mounting Hole	M6	
Net Weight (g)	35	180

Related Products:

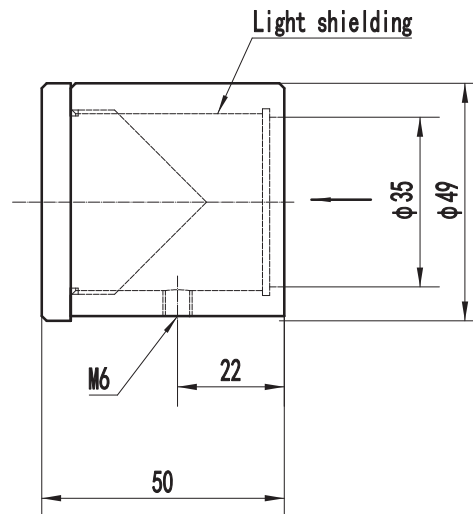


Dimensions:

ABC-15



ABC-35



PHK series Post and Post Holder Package



Brief Introduction:

PHK series post and post holder package include the most commonly used posts, post holders, bases, and table clamps. One model is for 12mm post package, the other is for 25mm post package.

PHK12-20: Aluminium alloy material 12mm post and related items package, 25 drawer cabinet , 390*190*395mm

PHK25-16: Stainless steel 25mm post and related items package, 20 drawer cabinet , 390*190*330mm

PHK12-20 include

No.	Model Name	Name	Qty.
1	PHSH-1	Post Holder	10
2	PHSH-2	Post Holder	10
3	PHSH-3	Post Holder	10
4	PHSH-4	Post Holder	10
5	ACCF-2	Clamp	10
6	BP-7	Base Plate	10
7	PHPB-1	Post Base	10
8	PHAF	Fork Clamp	10
9	BP-8	Base Plate	10
10	PHSP12-1	Post	10
11	PHSP12-2	Post	10
12	PHSP12-3	Post	10
13	PHSP12-4	Post	10
14	PHSP12-5	Post	10
15	PHSP12C	Post Clamp	10
16	NCC20	pedestal pillar post Clamp	2
17	PHCP-1	Right Angle post clamp	5
18	PHCP-2	swiveling post clamp	5
19	PHUC-1	swiveling post Holder	2
20	SK	Screw Kits	1

PHK25-16 include

No.	Model Name	Name	Qty.
1	PPS1	Post Spacer	10
2	PPS2	Post Spacer	5
3	PPS5	Post Spacer	5
4	PPS10	Post Spacer	5
5	PPCC25	C Clamp	5
6	PPF25	Steel Clamping Fork	15
7	PPB15	Post Base	15
8	PPE25	Post	5
9	PPE50	Post	5
10	PPE75	Post	5
11	PPE90	Post	5
12	PPE100	Post	3
13	PPC2512	Right Angle Post Clamp	2
14	ACSF-M6-M6	Post Connection Screw	20
15	ACSF-M6-M4	Post Connection Screw	20
16	ACSF-M4-M4	Post Connection Screw	20

PHSP6 series mini Post and Post Holder

PHSP6 series mini Post



Brief Introduction:

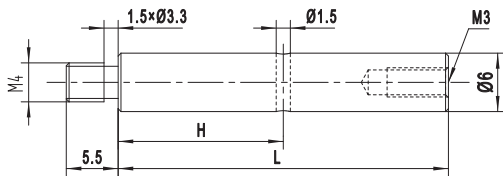
PHSP6 series mini post, made from 6mm diameter stainless steel, can work in the vacuum, standard with male/female thread, Model -A with female/female thread

Selection Table:

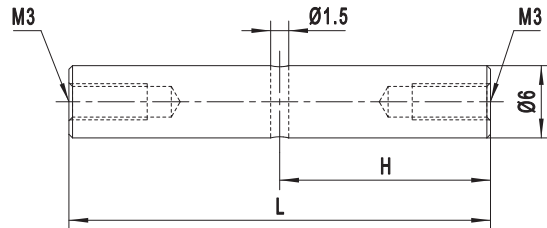
Model	PHSP6-1	PHSP6-2	PHSP6-3	PHSP6-4	PHSP6-5	PHSP6-6	PHSP6-7
Model	PHSP6-1A	PHSP6-2A	PHSP6-3A	PHSP6-4A	PHSP6-5A	PHSP6-6A	PHSP6-7A
Diameter(mm)	6						
Overall Height L(mm)	20	35	50	75	100	150	200
Middle Hole Height H (mm)	10	17.5	25	25	50	50	50

Dimensions:

PHSP6-x



PHSP6-xA



NMPH series Mini Post Holder with Base



Brief Introduction:

NMPH series is "N series" new mini post holder, using with PHSP6 series mini post.

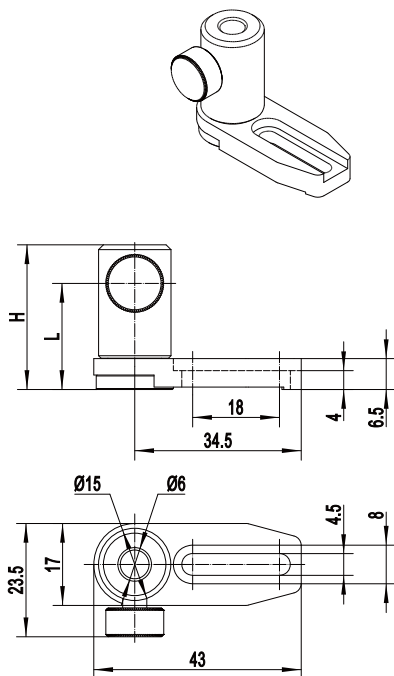
Features:

- Compact: Combine with post holder and base, compact and easy to use
- The base can rotate, with mild magnet field, can adjust the position more easily on the optical table.
- Space saving: using with PHSP6 series mini post save the spacing
- 20mm, 25mm, 30mm, 40mm, 50mm and 75mm height can be chosen

Selection Table:

Model	NMPH20	NMPH25	NMPH30	NMPH40	NMPH50	NMPH75
Optics Size (mm)	6					
Overall Height H(mm)	20	25	30	40	50	75
ThumbScrew Height L(mm)	13	17	22	32	42	67

Dimensions:



PHSP12 series Post and Post Holder

PHSP12 series Post



Brief Introduction:

PHSP12 series post features stainless steel for good looking, with fine grinding. Various specifications meet different needs. According to different threaded holes, they are divided into different models.

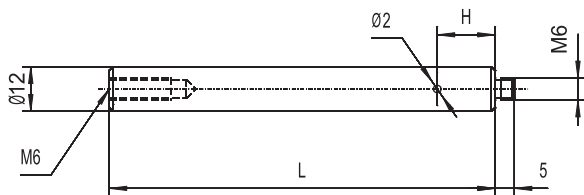
12mm Dia. Post

Model	PHSP12-1	PHSP12-2	PHSP12-3	PHSP12-4	PHSP12-5	PHSP12-6	PHSP12-7
Overall Height L(mm)	25	50	75	100	150	200	300
Middle Hole Height H(mm)	8	15	25	30	50	60	100
Net Weight(Kg)	0.025	0.05	0.075	0.1	0.15	0.2	0.3

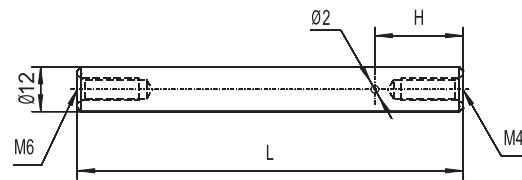
Model	PHSP12-1A	PHSP12-2A	PHSP12-3A	PHSP12-4A	PHSP12-5A	PHSP12-6A	PHSP12-7A
Model	PHSP12-1B	PHSP12-2B	PHSP12-3B	PHSP12-4B	PHSP12-5B	PHSP12-6B	PHSP12-7B
Model	PHSP12-1C	PHSP12-2C	PHSP12-3C	PHSP12-4C	PHSP12-5C	PHSP12-6C	PHSP12-7C
Overall Height L(mm)	25	50	75	100	150	200	300
Middle Hole Height H(mm)	-	25	30	30	50	60	100
Net Weight(Kg)	0.025	0.05	0.075	0.1	0.15	0.2	0.3

Dimensions:

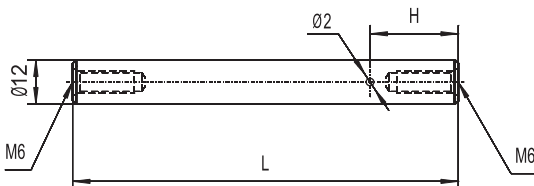
PHSP12-x



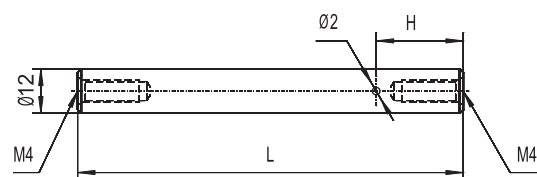
PHSP12-xB



PHSP12-xA



PHSP12-xC



NPH series Post Holder with Base



Brief Introduction:

NPH series is new post holder, using with PHSP12 series post

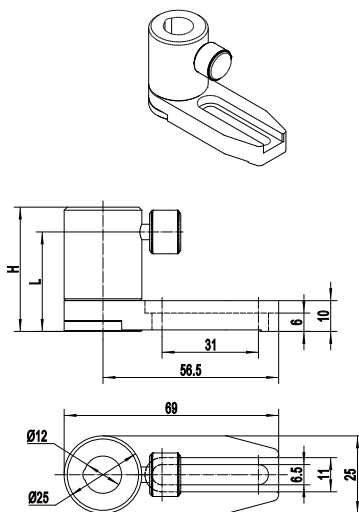
Features:

- Compact: Combine with post holder and base, compact and easy to use
- The base can rotate, with mild magnet field, can adjust the position more easy on the optical table.
- Thumb screw made from M5 copper, with knurling
- 25mm、40mm、50mm、75mm、100mm and 150mm height can be choosed.

Selection Table:

Model	NPH25	NPH40	NPH50	NPH75	NPH100	NPH150
Optics Size (mm)	12					
Overall Height H(mm)	25	40	50	75	100	150
ThumbScrew Height L(mm)	18	32	42	67	92	142

Dimensions:



PHSH series Post Holder



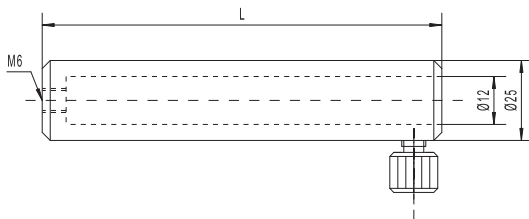
Brief Introduction:

PHSH series recommend using with PHSP12 series post, use the copper thumb screw to fix the post in any position, along internal of the post holder fabricate a V groove, minimize the post rotate while pulling up and down.

Selection Table:

Model	PHSH-1	PHSH-2	PHSH-3	PHSH-4	PHSH-5
Overall Height L(mm)	25	50	75	100	150
Net Weight(Kg)	0.03	0.04	0.1	0.11	0.15

Dimensions:



PHRP series Rotation Post Holder



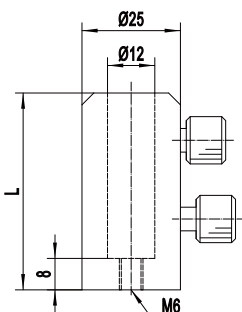
Brief Introduction:

Rotation of the post over 360° without changing the height, saving a lot of adjustment work. Posts can be adjusted for height without lateral position change, and locked for high stability. PHRP series post holder feature spring steel ball design for smooth adjustment for height and angle. The height and angle can be locked separately.

Selection Table:

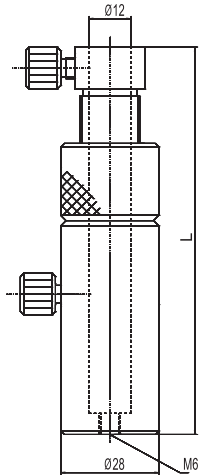
Model	PHRP-1	PHRP-2	PHRP-3
Overall Height L(mm)	50	76	102
Net Weight(Kg)	0.05	0.1	0.12

Dimensions:



PHVP series Translating Post Holder

PHVP-1/PHVP-2 Translating Post

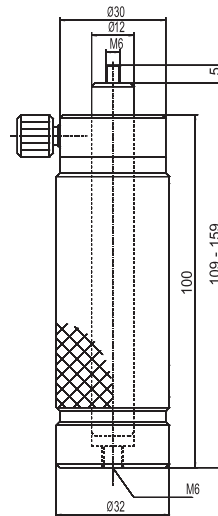


Brief Introduction:

PHVP series translating post holder provide lockable, non-rotating height adjustment. First, put the post inside the post holder, coarse position the height and using the thumb screw fix the post, then using the adjustment ring accuates the non-rotating height adjustment. Then lock the fine tuning position.

Model	PHVP-1	PHVP-2
Overall Height(mm)	72~87	95~120
Fine Tuning Height(mm)	15	25
Net Weight(Kg)	0.1	0.15

PHVP-3 Translating Post Holder



Brief Introduction:

PHVP-3 translating post holder provide lockable, non-rotating height adjustment.

Related Products:

PHSP12 series Post

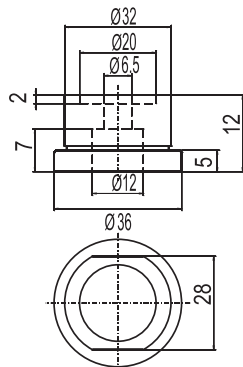
BPMB series Magnet Base

Specifications:

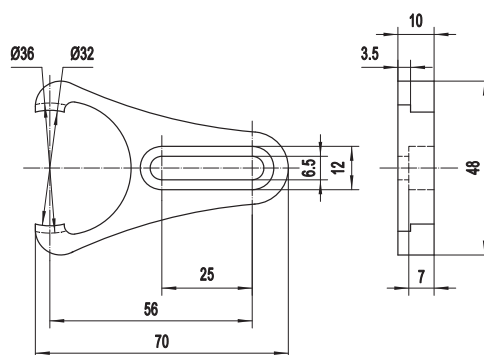
Fine Tuning Range:50 mm

Net Weight:0.6Kg

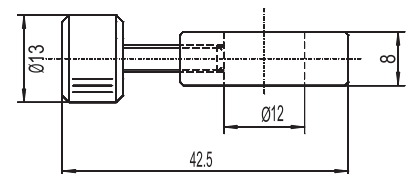
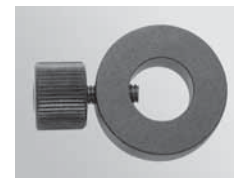
PHPB-1 Post Base



PHAFFork Clamp



PHSP12C Post Clamp



Related Products:

PHSP12 series Post

φ 20mm series Post and Post Holder

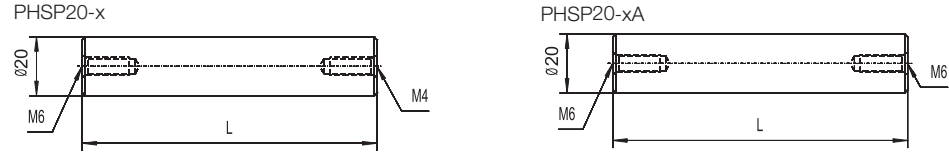
PHSP20 series Post



Selection Table:

Model	PHSP20-1	PHSP20-2	PHSP20-3	PHSP20-4
	PHSP20-1A	PHSP20-2A	PHSP20-3A	PHSP20-4A
Length L(mm)	50	100	150	200
Net Weight (Kg)	0.1	0.2	0.3	0.4

Dimensions:



PHSH20 series Post Holder

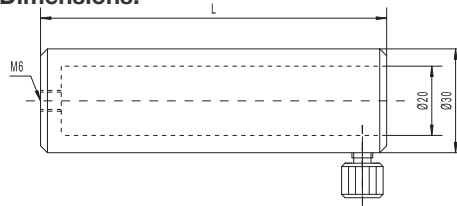


Selection

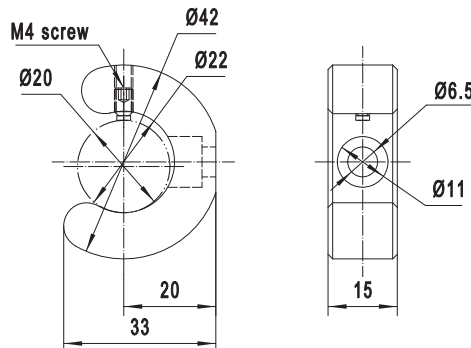
Model	PHSH20-025	PHSH20-050	PHSH20-075	PHSH20-100
Overall Height L(mm)	25	50	75	100
Net Weight(Kg)	0.04	0.05	0.12	0.14

Table:

Dimensions:



PPCC20: C Clamp



Kinematic Lens Mount
Laser Mount
Kinematic Lens Mount
Kinematic Mount for Polarization Components
Filter Wheel and Filter Mount
Prism/Cylinder Kinematic Mount
Special Kinematic Mount
Spatial Filter
Post and Post Holder
Accessories

PP series Post Package

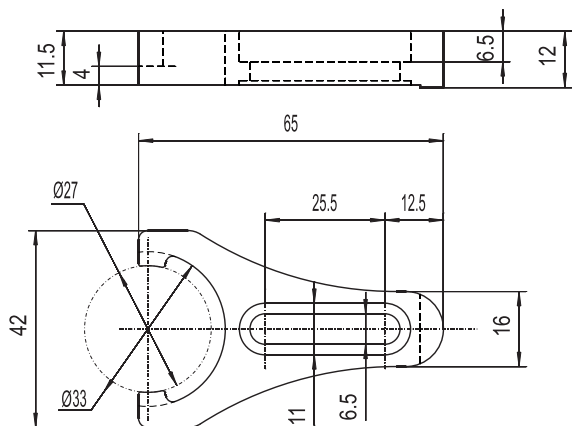


PP series post package made of 25mm stainless steel with high rigidity and stability. In the case of the optical height rarely changed, this set of fixed length post and accessories make the optical setup fast and cost effective. Individual height may combined by different length of the post and different height of the spacer. The accessories such as the C clamp and the right angle post clamp may also be used for optical setup.

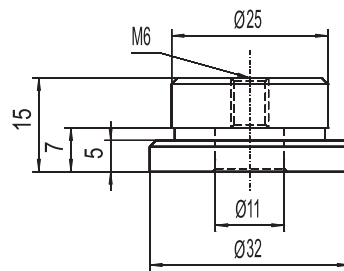
Selection Table

Model	Instruction
PCF25	Clamping Fork, Precision Casting of Rigid Stainless Steel , Surface Sandblasting
PPF25	Clamping Fork, Precision machining of stainless steel, electrolytic polishing after sandblasting
PPB15	15mm Post Base
PPE25	25mm Post
PPE50	50mm Post
PPE75	75mm Post
PPE90	90mm Post
PPE100	100mm Post
PPE150	150mm Post
PPS0.5	0.5mm Post Spacer
PPS1	1mm Post Spacer
PPS2	2mm Post Spacer
PPS5	5mm Post Spacer
PPS10	10mm Post Spacer
PPCC25	C Clamp
PPC2512	25-12Right Angle Post Clamp

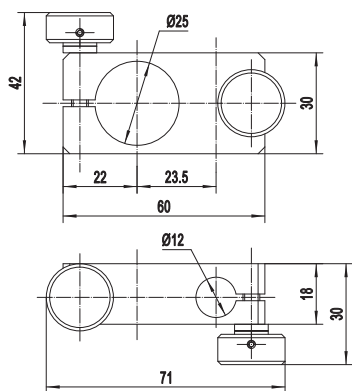
PPF25/PCF25



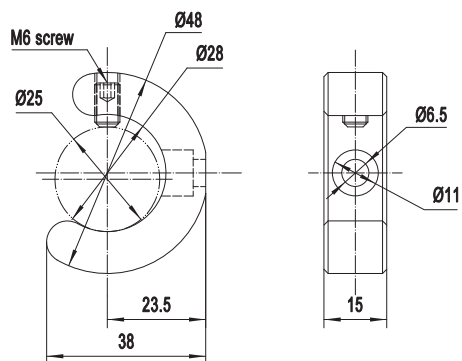
PPB15



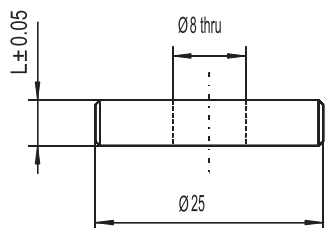
PPC2512



PPCC25

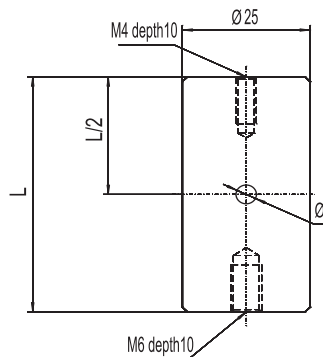


PPS



Model	PPS0.5	PPS1	PPS2	PPS5	PPS10
L(mm)	0.5	1	2	5	10

PPE



PEP series Imperial Standard Post



Brief Introduction:

PEP series imperial standard post standard with 1/4" -20 male thread one end and 1/4" -20 UNC-2B on the other end. Different length options of 50mm,76mm and 102mm

"-B series" with 8-32 UNC-2B female thread one end and 1/4" -20 UNC-2B on the other end. Different length options of 50mm,76mm and 102mm

Holder provide lockable, non-rotating height adjustment. First , put the post inside the post holder, coarsely set the height and using the thumb screw fix the post, then using the adjustable ring precisely adjust for the non-rotating height. Then lock the fine tuning position.

Material:

Stainless Steel

Features:

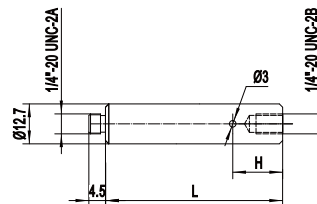
Post Diameter 12.7mm(1/2");has an φ 3mm through hole, post can be fixed by wrench

Selection Table:

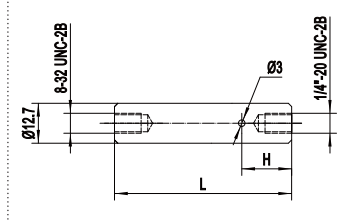
Model	PEP12.7-50(B)	PEP12.7-76(B)	PEP12.7-102(B)
Length L(mm)	50	76	102
Through Hole Height H(mm)	20	30	35

Dimensions:

PEP12.7-xx



PEP12.7-xxB



NIPH series Imperial Standard Post Holder with Base

Brief Introduction:

NIPH(New Inch Post Holder) series is "N series" new post holder in imperial standard

Features:

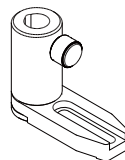
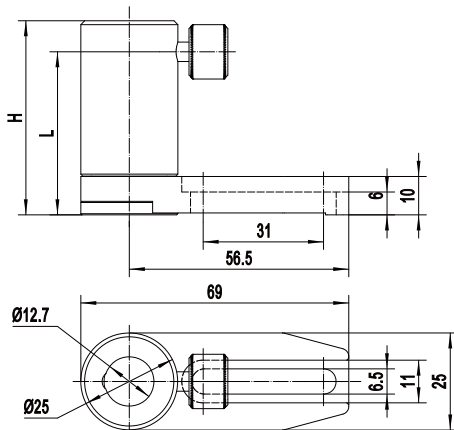
- Compact: Combine with post holder and base, compact and easy to use
- The base can rotate ,with mild magnetic field, can adjust the position more easy on the optical table.
- Thumb screw made from M5 copper, with knurling, please avoid over force when you using the L wrench locking the post
- 25mm、40mm、50mm、75mm、100mm and 150mm height can be chosen. adapt for φ 12.7mm Post



Selection Table:

Model	NIPH25	NIPH40	NIPH50	NIPH75	NIPH100	NIPH150
Post Diameter(mm)	φ 12.7					
Overall Height H(mm)	25	40	50	75	100	150
ThumbScrew Height L(mm)	18	32	42	67	92	142

Dimensions:



PEH series Imperial Standard Post



Material:

Post body is aluminium alloy, thumb screw is copper

Features:

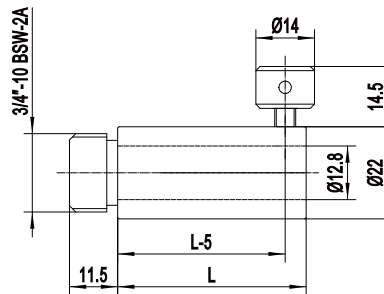
Inner diameter 12.7mm(1/2"), adapt for PEP series imperial standard post, bottom is 3/4"-10 male thread

Selection Table:

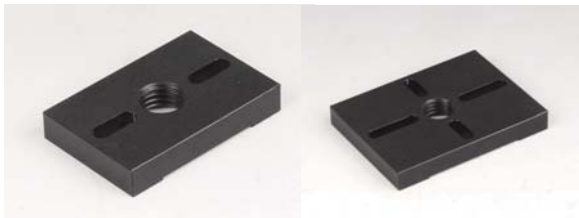
Model	PEH12.7-50	PEH12.7-76	PEH12.7-102
Length L(mm)	50	76	102

Dimensions:

PEH12.7-xx



PEB Imperial Standard Base Plate



Brief Introduction:

PEB75: Size 75mm×50mm, with counterbored slot at the longer direction. slot width is 7mm, the standard metric or imperial screws can fix the base on the optical table.

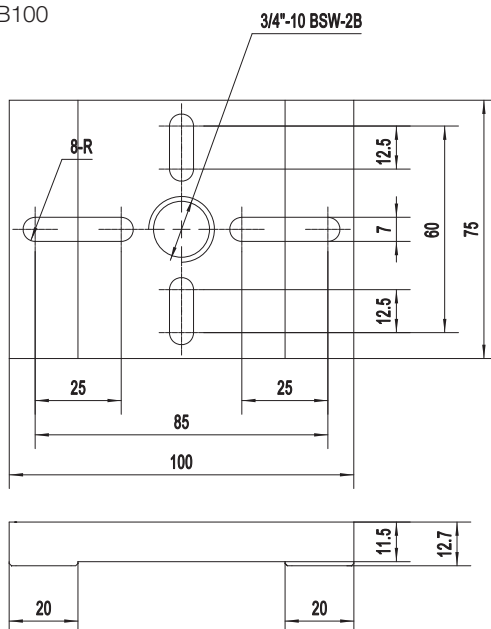
PEB100: Size 100mm×75mm, with counterbored slot at both longer and shorter direction. slot width is 7mm, the standard metric or imperial screws can fix the base on the optical table.

Features:

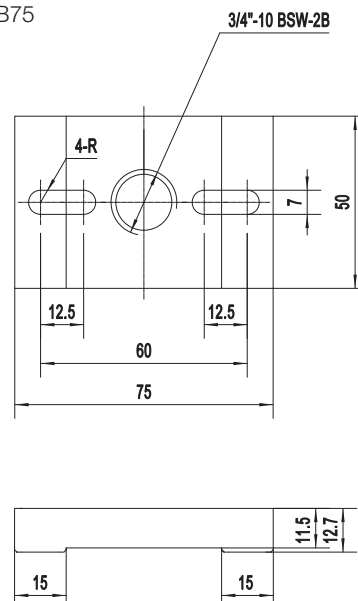
- Aluminium alloy, surface treated by black anodic oxidation.
- Mounting hole is 3/4" -10 adapt to PEH series metric standard post

Dimensions:

PEB100



PEB75



NPHR Mounting Post



NPHR 介绍

Brief Introduction:

Using for bearing heavy load, adapt to PHCR-1(A) post mounting clamp (with gear) , using the gear and rack pair continuously adjust the height. Good anti-vibration capability, the mounting post can be fixed by table clamp or the pedestal can be removed then using the M6 thread fix the mounting post.

Selection Table:

Model	NPHR38-178	NPHR38-356	NPHR38-500
Overall Height L(mm)	178	356	500
Weight(Kg)	0.48	0.78	1.02

Related Products:



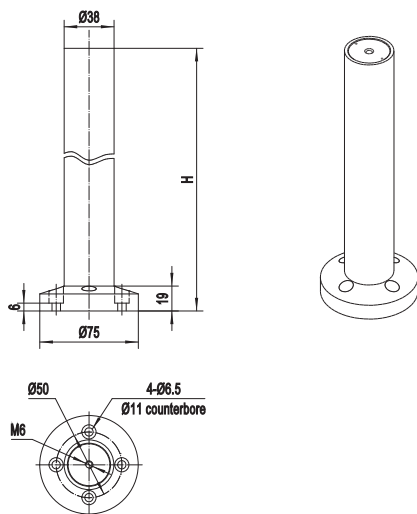
PHCR-1A Post Mounting Clamp
BPRB-1 2D Sliding Base Plate

Especially Recommended:

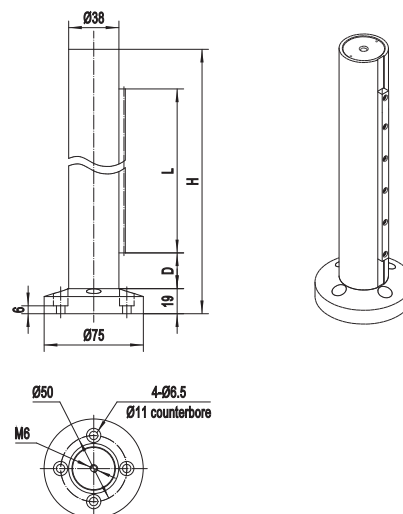
BPRB-1 makes the mounting post can be adjusted precisely and smoothly with heavy load.

Dimensions:

NPHR38-xx

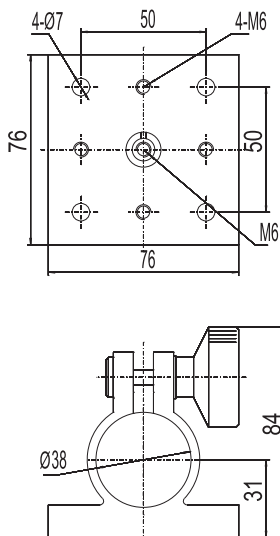


NPHR38R-xx



PHCR Post Mounting Clamp

PHCR-1 Post Mounting Clamp



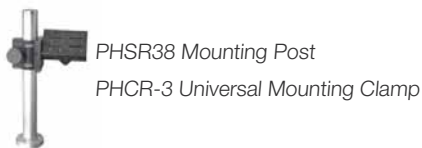
Using combine with the PHSR38 series mounting post, series of the mounting holes can adapt to mounting clamps such as PHCR-3 universal mount clamp for tilt adjustments. Come with locking hand wheel to fix the mounting clamps in different height.

Net weight 0.45kga

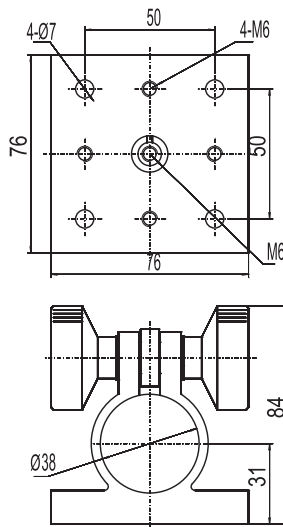
Instructions:

When using with PHCR-3 universal mount clamp, fixing the PHCR-3 with screw ,then lossen the screw a little bit, adjust the angle, then fix the screw again.

Related Products:



PHCR-1A Post Mounting Clamp



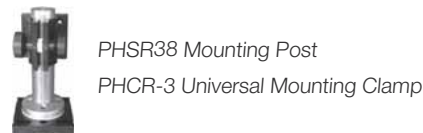
Using combine with the PHSR38 series mounting post, series of the mounting holes can adapt to mounting clamps such as PHCR-3 universal mount clamp for tilt adjustments. Come with locking hand wheel to fix the mounting clamps in different height.

Net weight 0.45kg

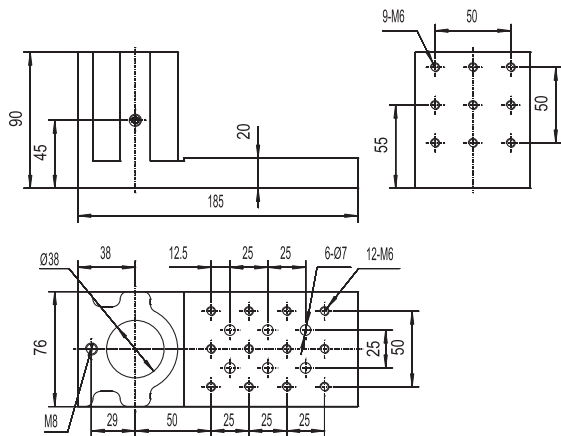
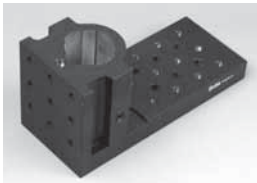
Instructions:

When using with PHCR-3 universal mounting clamp, fixing the PHCR-3 with screw ,then lossen the screw a little bit, adjust the angle, then fix the screw again.

Related Products:



PHCR-2 Right Angle Mounting Clamp

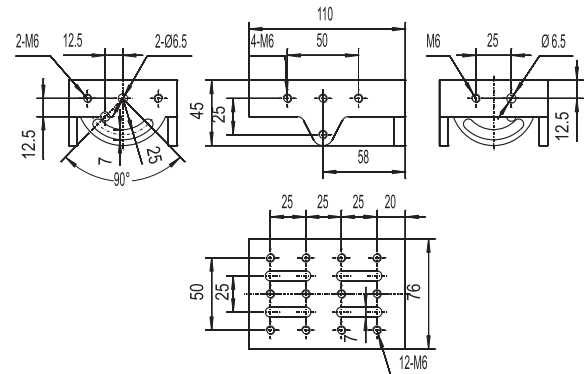
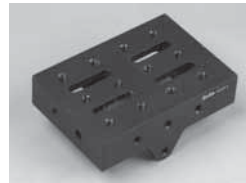


Using combine with the PHSR38 series Mounting Post, The Horizontal and vertical both has series of mounting holes for different application.. Come with locking hand wheel to fix the Mounting Clamps in different height.

Net Weight 1.2 kg

Related Products: *PHSR38 Mounting Post*

PHCR-3 Pentahedral Mounting Clamp PHCRT-1 Lifter

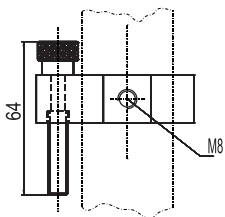


PHCR-3 universal mounting clamp come with 5 mounting surfaces. Using the arcs mounting slot can fulfill the tilt adjustments

Related Products:



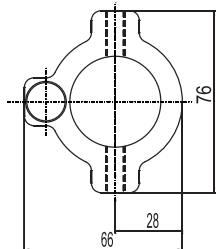
Post Mounting Clamp (with gear)



Combine with PHCR-2 right angle mounting clamp, can drive the PHCR-2 up and down along PHSR38 mounting post

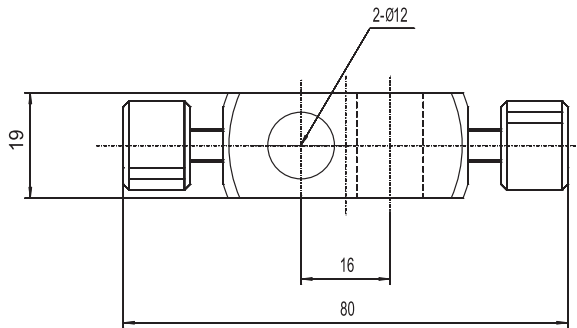
Related Products:

PHSR38 Mounting Post



PHCP series Crossing Post Clamp

PHCP-1 Right Angle Post Clamp



Right angle post clamp can combine the two post in 90 deg.

Specifications:

Mounting Hole: Two orthogonal 12mm diameter standard mounting holes

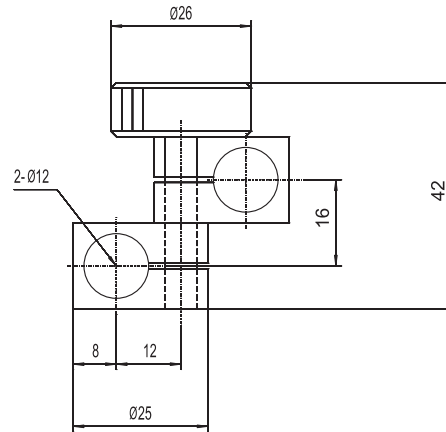
Net weight: 0.05Kg

Related Products:



PHSP12 series Post

PHCP-2 Crossing Post Clamp



PHCP-2 crossing post clamp can combine the two post in any angle.

Specifications:

Mounting Holes: Two rotatable 12mm diameter standard mounting holes

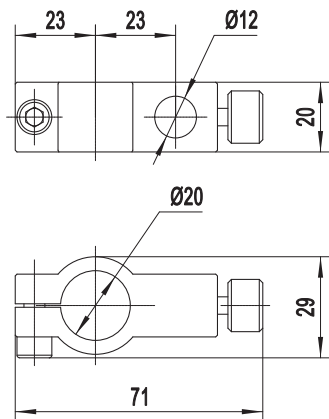
Net weight: 0.05kg

Related Products:

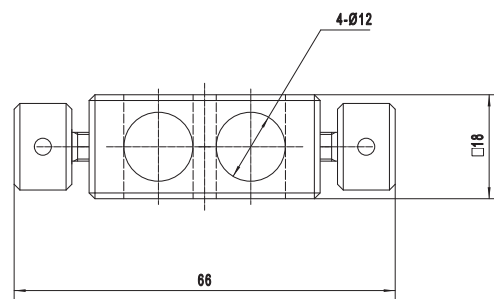


PHSP12series Post

PHCP20-12 Right Angle Post Clamp



PHCP12-4H Dual Right Angle Post Clamp



PHUC series Swiveling Post Clamp



Brief Introduction:

PHUC series swiveling post clamp can couple different diameter post in any different angle . Two post can adjust the relative angle in 360° range ,then using the thumb screw lock it.

Selection Table:

Model	A (mm)	B (mm)	C (mm)	D (mm)	E (mm)	Net Weight(Kg)
PHUC-1	60	30	12	12	33	0.12
PHUC-2	77	36	20	12	44	0.15
PHUC-3	77	36	20	20	41	0.15

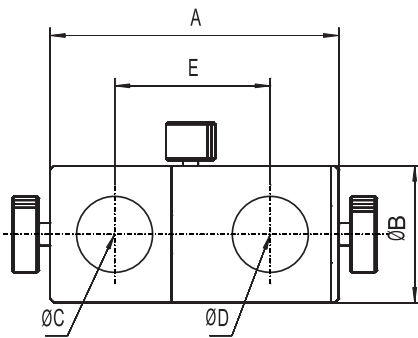
Related Products:



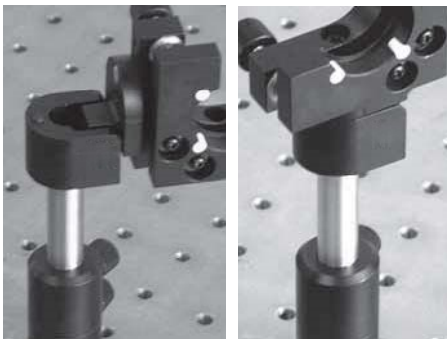
PHSP series Post

Dimensions:

PHUC-1/2/3



PHTP series Mirror Mount Seat



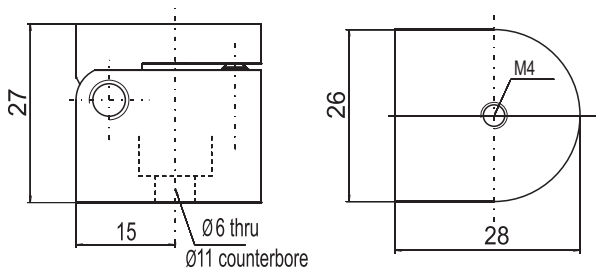
Brief Introduction:

PHTP series mirror mount seat can switch the mirror mount in and out the optical path by 90 deg rotation.

Note: the kinematic mirror mount and the post must order separately

Dimensions:

PHTP



ACFS series Adjustment Screw

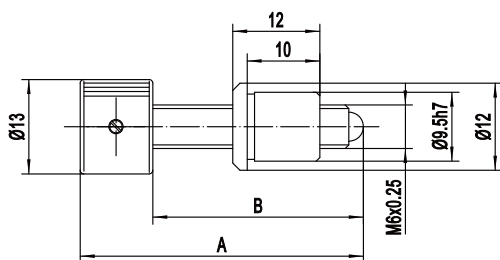


Brief Introduction:

ACFS series adjustment screw is the cost effective mechanics to adjust the position without reading scales. Normally the micrometer drive screw pitch is 0.5mm, the fine adjustment screw can down to 0.25mm or more. So in the case of no need of the reading scales of the micrometer, the fine adjustment screw can be more sensitivity and less cost. adjustment screw has the same mounting diameter $\phi 9.5\text{mm}$ as micrometer drive, so that each of them can be switched easily.

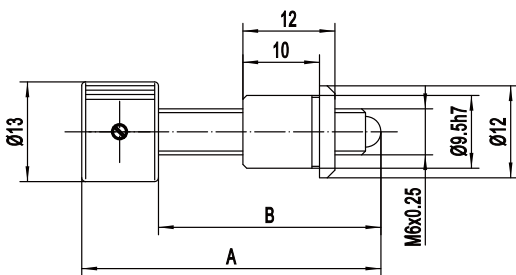
Dimensions:

ACFS06-1A/ACFS25-1



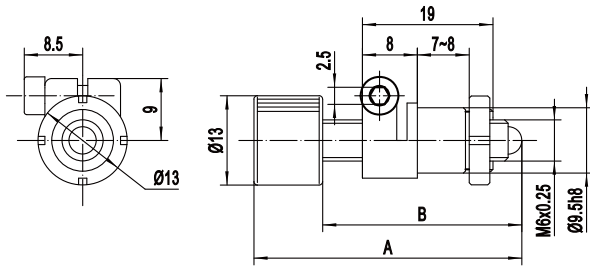
Model	Translation Range (mm)	Adjustment Screw Thread	Screw Pitch (mm)	Mounting Diameter(mm)	Mounting Length(mm)	Overall Length A (mm)	Screw Rod Length B (mm)	Thumb Wheel Diameter (mm)
ACFS06-1A	6	M6x0.25	0.25	$\phi 9.5$	10	32	22	$\phi 13$
ACFS25-1	25					61	41	

ACFS06-2A/ACFS13-2/ACFS25-2



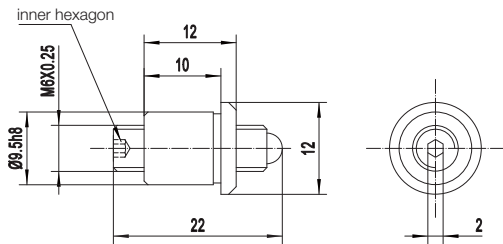
Model	Translation Range (mm)	Adjustment Screw Thread	Screw Pitch (mm)	Mounting Diameter (mm)	Mounting Length(mm)	Overall Length A (mm)	Screw Rod Length B (mm)	Thumb Wheel Diameter (mm)
ACFS06-2A	6	M6x0.25	0.25	$\phi 9.5$	10	32	22	$\phi 13$
ACFS13-2	13					39	29	
ACFS25-2	25	M6x0.5	0.5			61	41	

ACFS13-2S



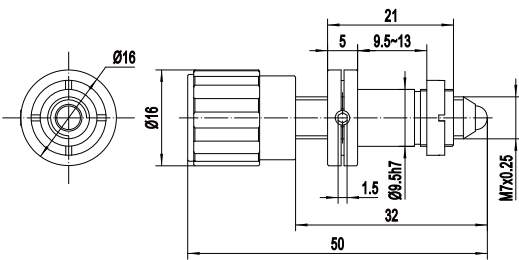
Model	Translation Range(mm)	Adjustment Screw Thread	Screw Pitch (mm)	Mounting Diameter(mm)	Mounting Length(mm)	Overall Length A (mm)	Screw Rod Length B (with ball)(mm)	Thumb Wheel Diameter (mm)	Locking
ACFS13-2S	13	M6x0.25	0.25	φ 9.5	7~8	39	29	φ 13	Radial locking

ACFS06-2

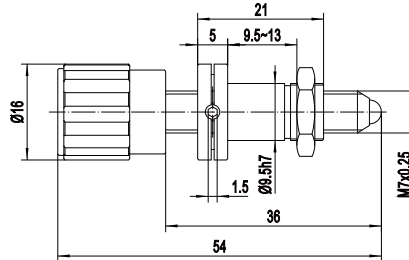


Model	Translation Range (mm)	Adjustment Screw Thread	Screw Pitch (mm)	Mounting Diameter(mm)	Mounting Length(mm)	Overall Length (mm)	Adjustment method
ACFS06-2	6	M6x0.25	0.25	φ 9.5	10	22	inner-hexagon

ACSF-N100-0.35



ACSF-N100-0.5



Model	Translation Range(mm)	Adjustment Screw Thread	Screw Pitch(mm)	Mounting Diameter(mm)	Mounting Length(mm)	Overall Length (mm)	Screw Rod Length (with ball)(mm)	Thumb Wheel Diameter (mm)	Locking
ACSF-N100-0.35	10	M7x0.25	0.25	φ 9.5	9.5~13	50	32	φ 16	Radial locking
ACSF-N100-0.5	13	M7x0.25	0.25	φ 9.5		54	36		

Kinematic Lens Mount | Laser Mount | Kinematic Lens Mount | Kinematic Mount for Polarization Components | Filter Wheel and Filter Mount | Prism/Cylinder Kinematic Mount | Special Kinematic Mount | Spatial Filter | Post and Post Holder | Accessories

NAT series Alignment Disk



Brief Introduction:

NAT series alignment disk help simplify the process of aligning an optical system. NAT alignment disk are available for compatibility with NLB lens mounts or other round clamp.

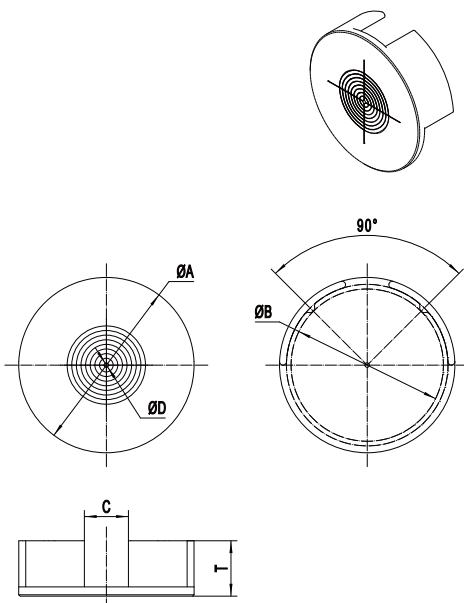
Features:

- Aluminium alloy, surface treated by black anodic oxidation.
- Easy to use
- Center hole 1mm, min. reading scale 1mm

Selection Table:

Model	NAT12.7	NAT25.4	NAT38.1	NAT50.8
Compatible Lens Mount	NLB12.7	NLB25.4	NLB38.1	NLB50.8
Out Ring Diameter A(mm)	φ 25	φ 38	φ 51	φ 64
Alignment Ring Diameter B(mm)	φ 20	φ 33	φ 46	φ 59
Open Slot Width C(mm)	7.5	9.5	11.5	11.5
Center Hole Diameter D(mm)	φ 1			
Min. Reading Scale (mm)	1			
Main Body Material and Treatment	aluminium alloy, surface treated by black anodic oxidation.			
Overall Thickness T(mm)	9	12	12	14
Net Weight (g)	3	8.5	14.5	22.5

Dimensions:

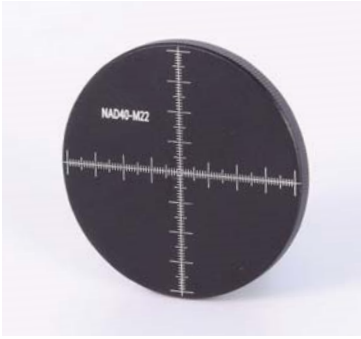


Related Products:



NLB Lens Mount

NAD series Alignment Disk



Brief Introduction:

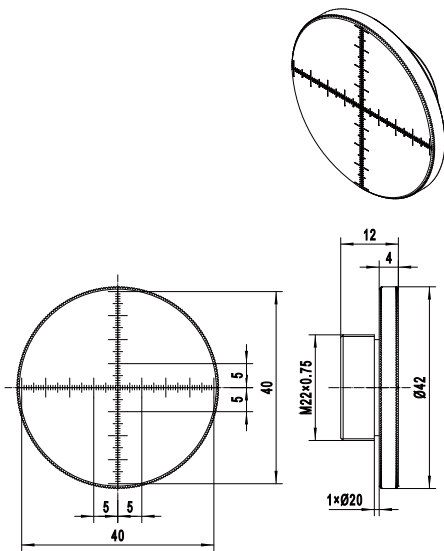
NAD series alignment disk help simplify the process of aligning an optical system. NAD alignment disk are available for compatibility with OMxA OMxA kinematic mount or other M22 × 0.75 round clamp.

Features:

- Aluminium alloy, surface treated by black anodic oxidation.
- Easy to use
- Cross line with easy reading scale, min. reading scale 0.5mm

Dimensions:

NAD40-M22

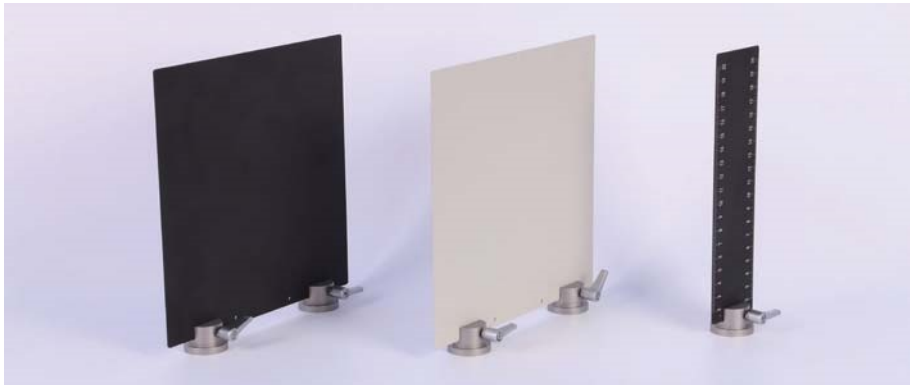


Related Products:



OMHS-LBE22

Nxx series Aluminum Protective Screens



Brief Introduction:

NxB series aluminum protective screens prevent stray or unwanted light from entering or exiting an experimental setup. The aluminum is treated prior to anodization to create a homogeneously diffusive surface. So it may also be used in the holographic imaging screen. We also have the aluminum protective screen with scales, the min reading scale is 1 mm

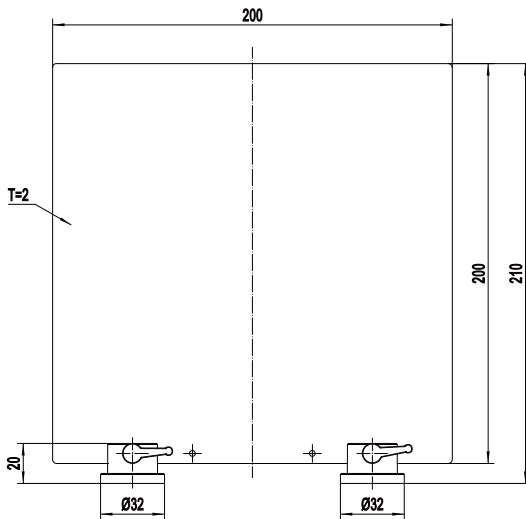
Features:

- Aluminium alloy, surface treated by black anodic oxidation or matte treatment in white
- Easy to use
- With magnet in the seat, easy to mount on the optical table

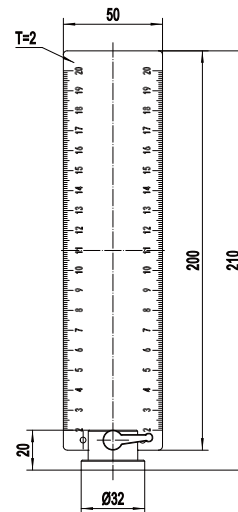
Note: There is still risk of the scattered high power laser entering eyes, please take on your laser goggles.

Dimensions:

NBB200(Black)/NWB200(White)



NHR200



RAOB series Optical Rail



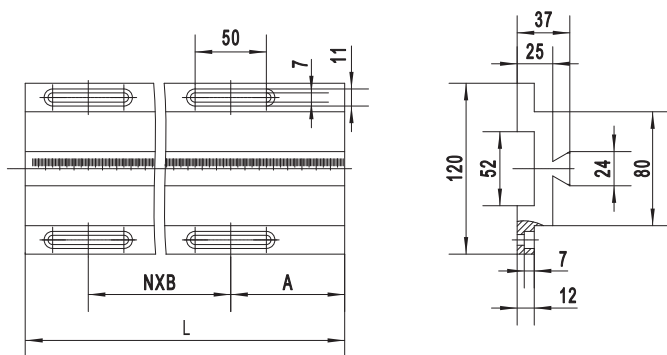
Brief Introduction:

RAOB series optical rail is used for easily constructing coaxial optical system, RAOB series optical rail with the RACA series sliding carriers, posts and lens mounts, there is scale on the rail so that each optic components are adjustable in quantitative. The sliding carriers can be locked on the optical rail dovetail slot. RAOB series optical rail made from high quality aluminium alloy, rigid and light weight, better than the traditional steel rail.

Selection Table:

Model	RAOB02-1	RAOB03-1	RAOB04-1	RAOB05-1	RAOB10-1	RAOB15-1	RAOB20-1
Overall Length L(mm)	200	300	400	500	1000	1500	2000
Mounting Hole distance to the edge A(mm)	50	80					
Mounting Hole Center distance B (mm)	100	140	240	170	280	335	460
Mounting Hole Number N	1			2	3	4	
Net Weight(Kg)	1.15	1.73	2.3	2.85	5.75	8.65	11.5

Dimensions:



Related Products:

RACA series Sliding Carriers

RACA series Sliding Carriers

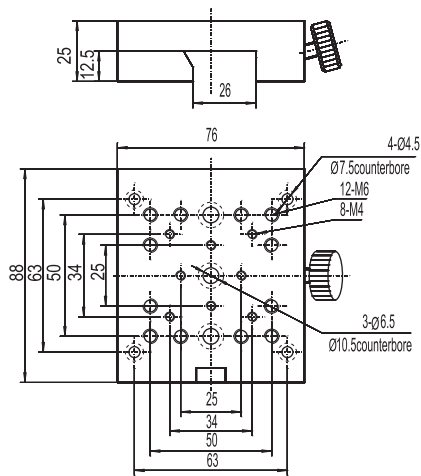


Brief Introduction:

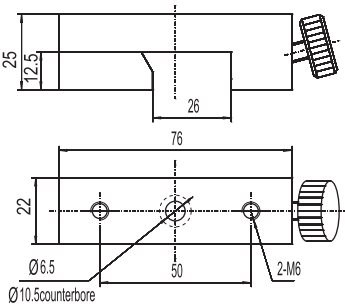
RACA series sliding carrier's dovetail structure is compatible with RAOB rail, easy to tuning the position with high repeatability. Thumb screw locking units with teflon tip to protect the rail. Different width of the sliding carrier meets different applications. RACA-4 sliding carrier can fine tuning in the transverse direction with M6×0.25 fine thread.

Dimensions:

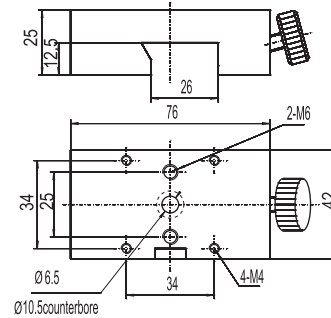
RACA-1
Net Weight: 0.4Kg



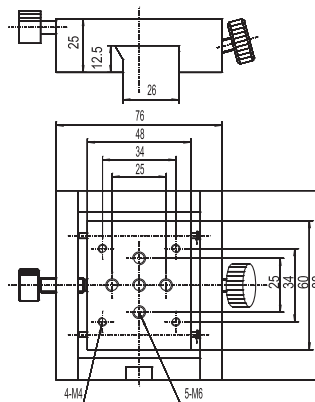
RACA-3
Net Weight: 0.1Kg



RACA-2
Net Weight: 0.2Kg



RACA-4
Fine Tuning Range: ±5mm Net Weight: 0.4Kg



Related Products:



RAOB series Optical Rail

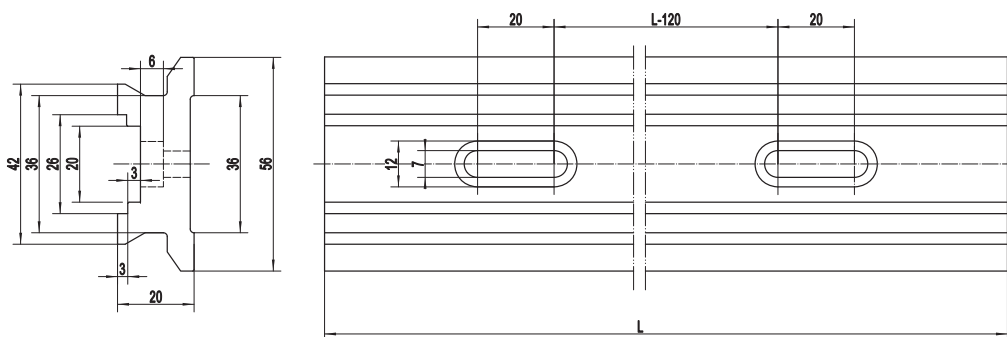
RAOB-M series Miniature Optical Rail System



RAOB-M series optical rail, which adopts miniature precision dovetail, can be assembled freely and suitable for building optical system on desktop.

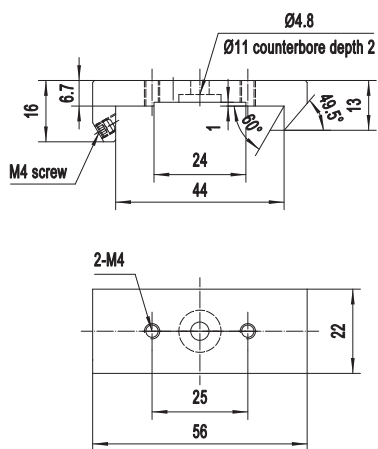
Dimensions:

Model	Length L(mm)
RAOB-M2	200
RAOB-M3	300

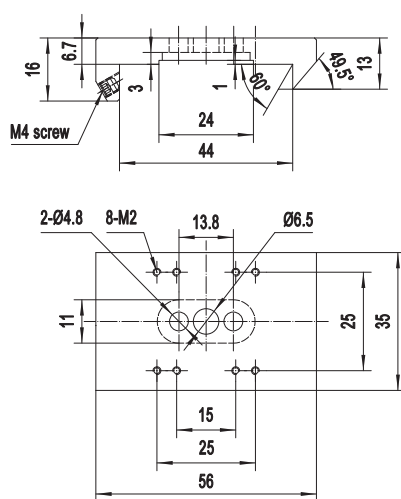


Dimensions:

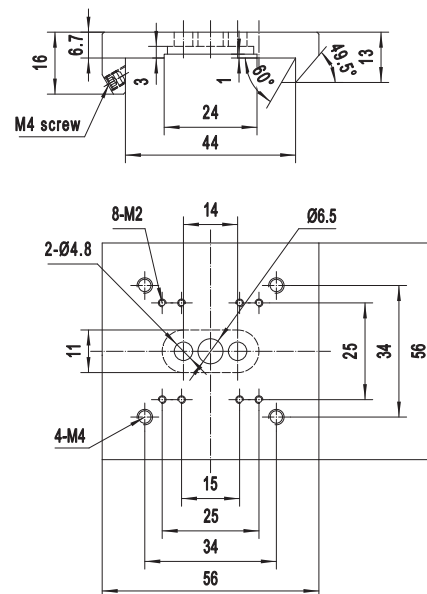
RACA-M1



RACA-M2



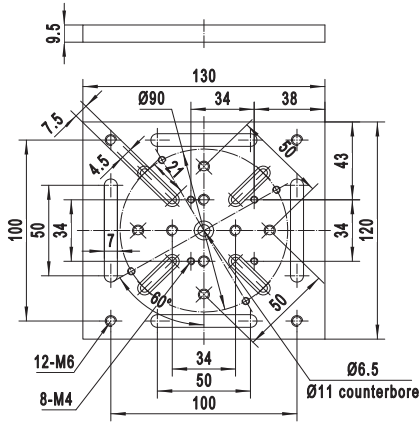
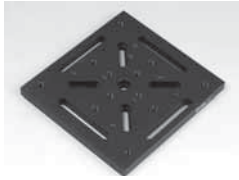
RACA-M3



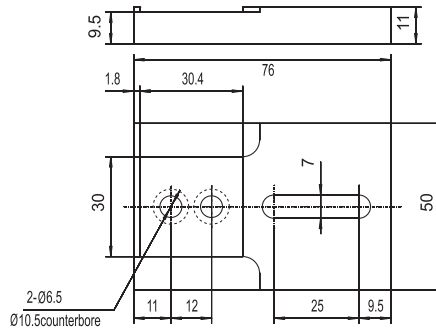
BP series Base Plate

BP series base plate increases the flexibility of any optical setup by providing series of mounting holes and slots. Make it more easy to connect any optics on an optical table or breadboard.

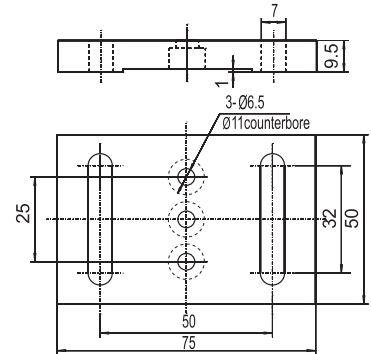
BP-1 Base Plate



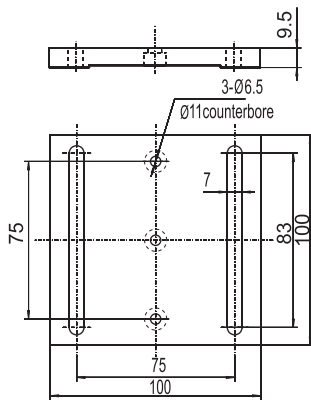
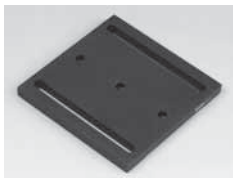
BP-2 Base Plate



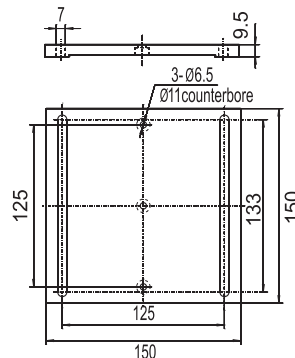
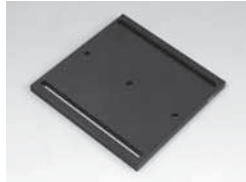
BP-3 Base Plate



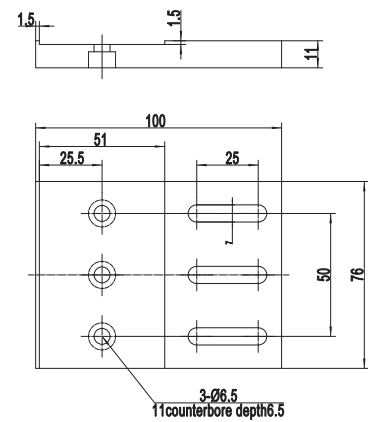
BP-4 Base Plate



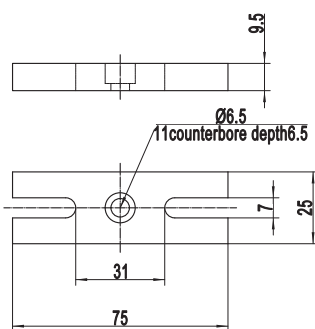
BP-5 Base Plate



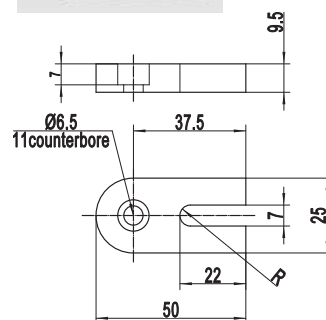
BP-6 Base Plate



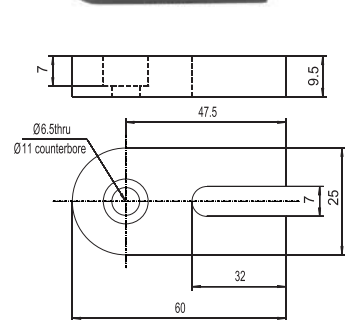
BP-7 Base Plate



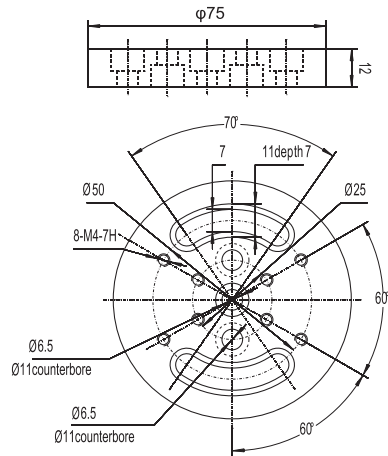
BP-8 Base Plate



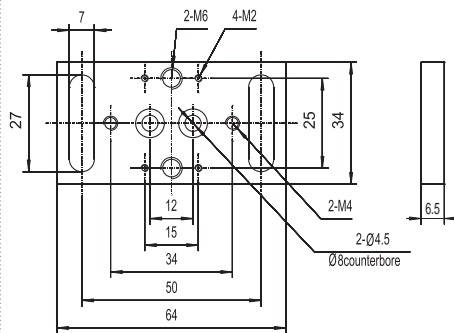
BP-8A Base Plate



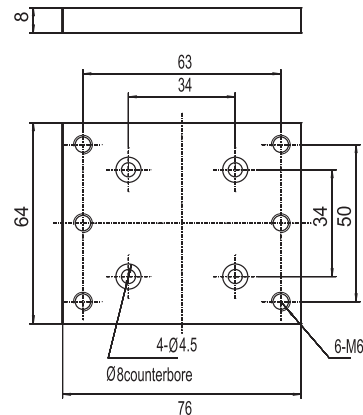
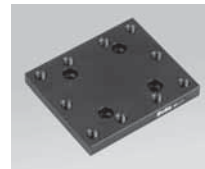
BP-9Base Plate



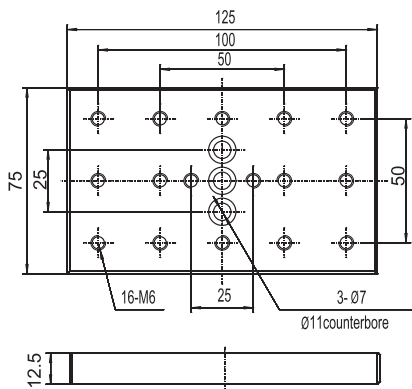
BP-10Base Plate



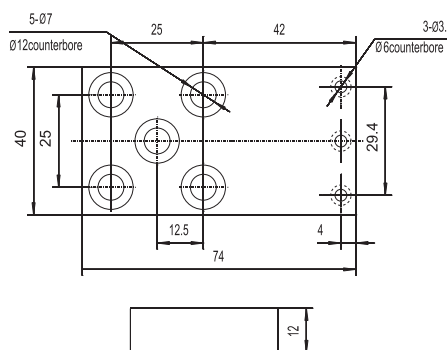
BP-11Base Plate



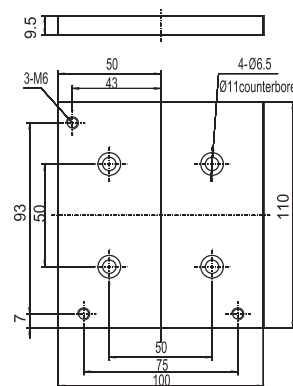
BP-12Base Plate



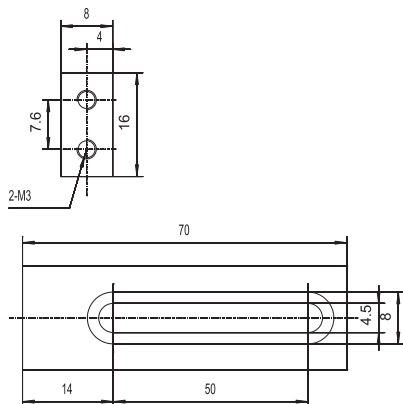
BP-13Base Plate



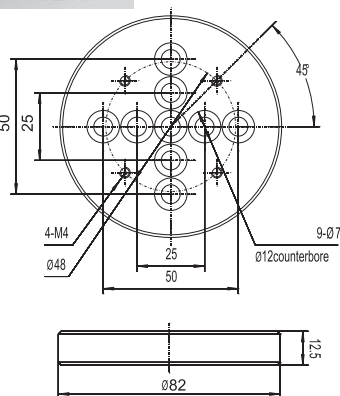
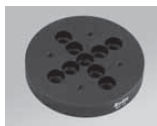
BP-14Base Plate



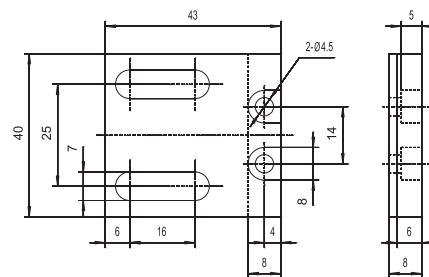
BP-15Base Plate



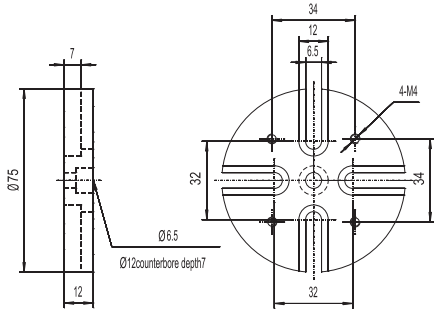
BP-16Base Plate



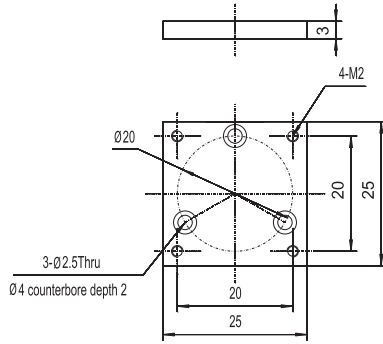
BP-17Base Plate



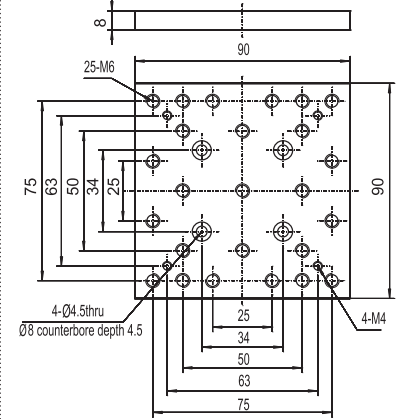
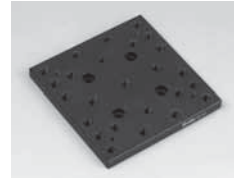
BP-18Base Plate



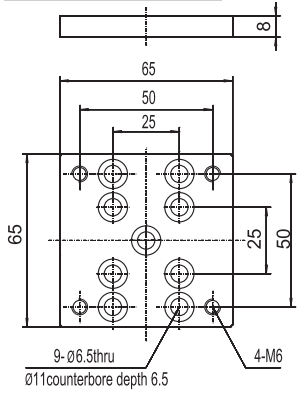
BP-19Base Plate



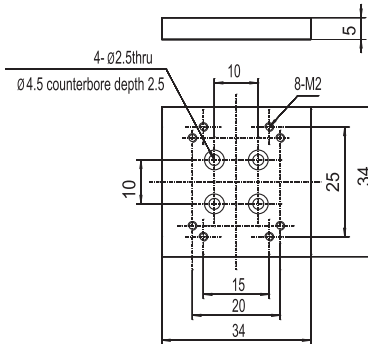
BP-20Base Plate



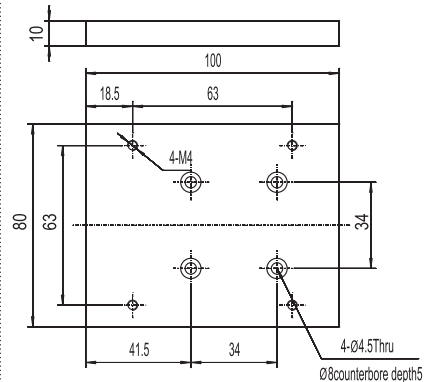
BP-21Base Plate



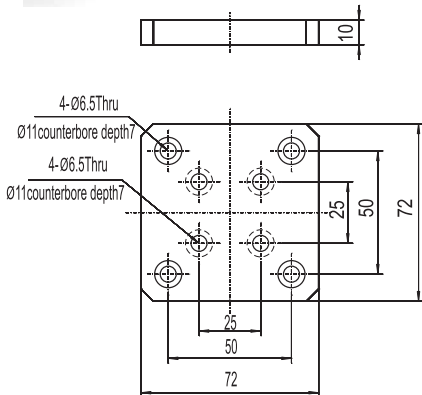
BP-22Base Plate



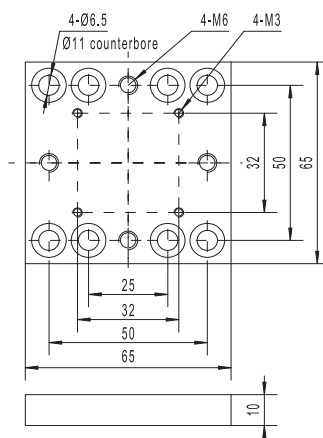
BP-23Base Plate



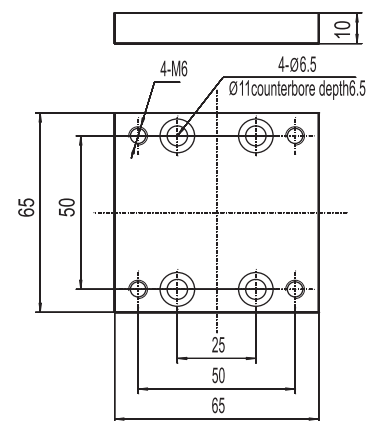
BP-24Base Plate



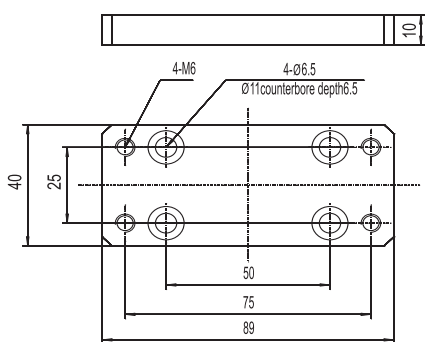
BP-25Base Plate



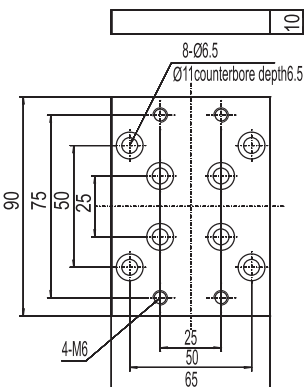
BP-26Base Plate



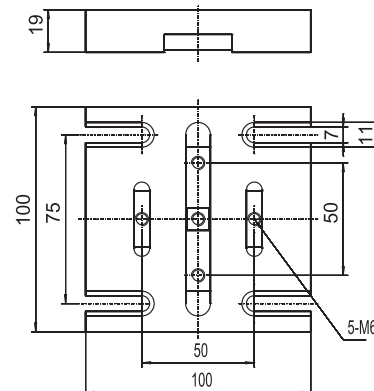
BP-27 Base Plate



BP-28 Base Plate



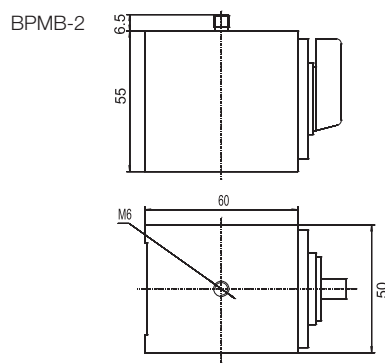
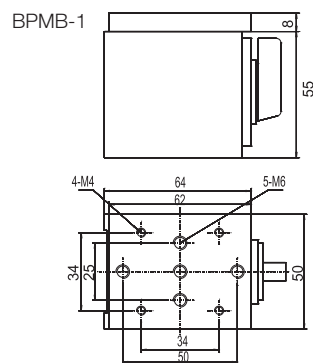
BPRB-1 2D Sliding Base Plate



BPMB-1/BPMB-2 Magnetic Base



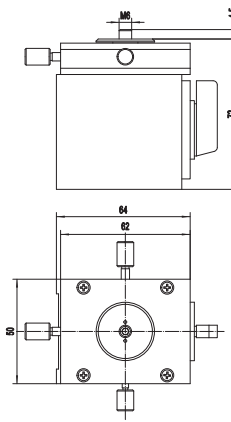
Magnetic base flexible and convenient for mounting and fixing, is widely used in laboratories, you only need to turn the magnet off, then move to the target position, then turn the magnet on to fix it on the optical table.



BPMB-3 Magnetic Base



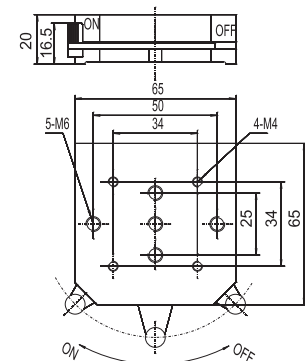
The BPMB-3 magnetic base also has x-y 2D translation stage on the top, with M4x0.3 fine tuning screw thread and locking mechanics. May also upgrade to x-y-z 3D or x-y-z-θ adjustment.



BPMB-4 Ultra-Thin Magnetic Base



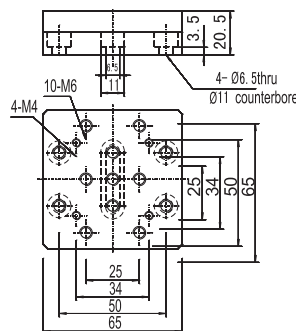
Main body made from steel, ultra-thin and stable. The magnet force can be continuously tuned from zero to max.



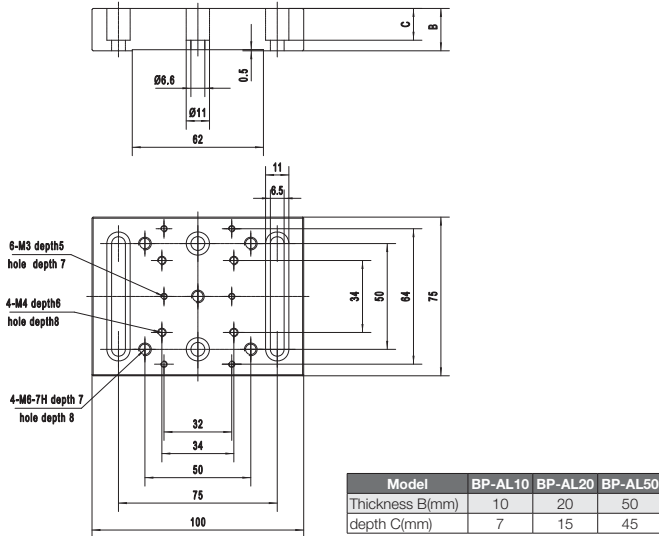
BPKB-2 Resettable Magnetic Base



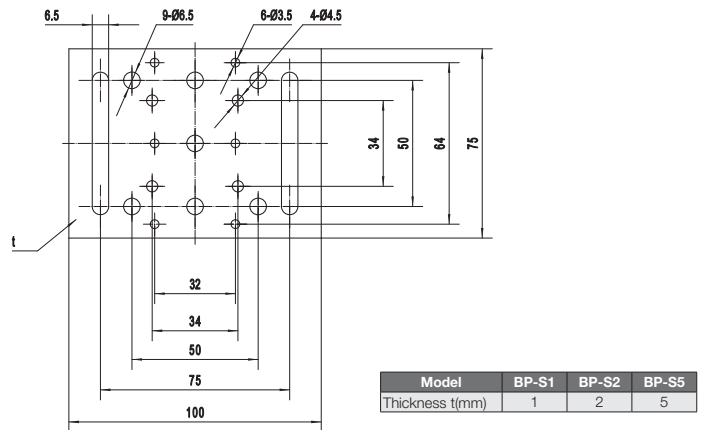
Has two plates, one plate mounts on the optical table, the other plate can easily fix on the first plate by magnet by switching on. Repeatability is held by the positioning mechanism.



AL10/20/50 Aluminum Alloy Cushion Block



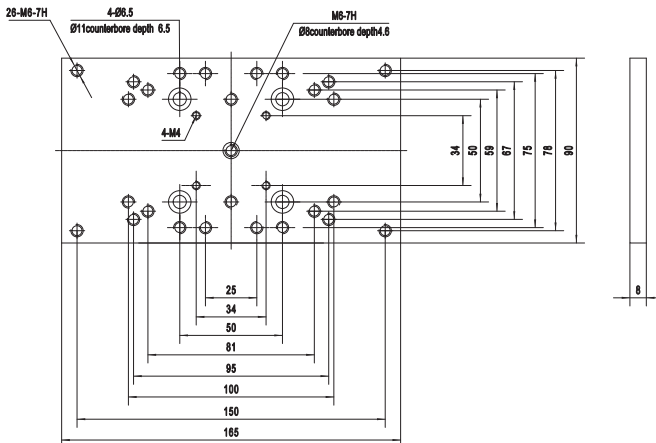
BP-S1/2/5 Stainless Steel Base Plate



BP-DPSS General Mounting Plate for Semiconductor Lasers



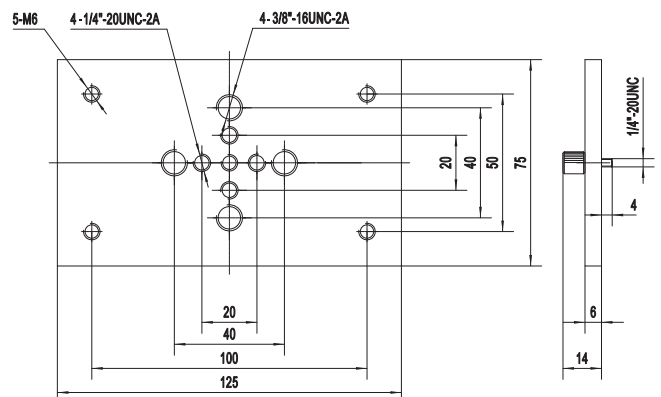
- Include 4 of 59×81, 67×95, 78×150 position M6 Mounting hole
- Center with M6 and $\phi 8$ sink hole
- Many M6 and M4 thread holes and $\phi 6.5$ sink holes other place



BP-DC Digital Camera Fixing Plate



Using the 1/4" screw thread fix the digital camera to the post or plate



PHOB series Right-Angle Brackets

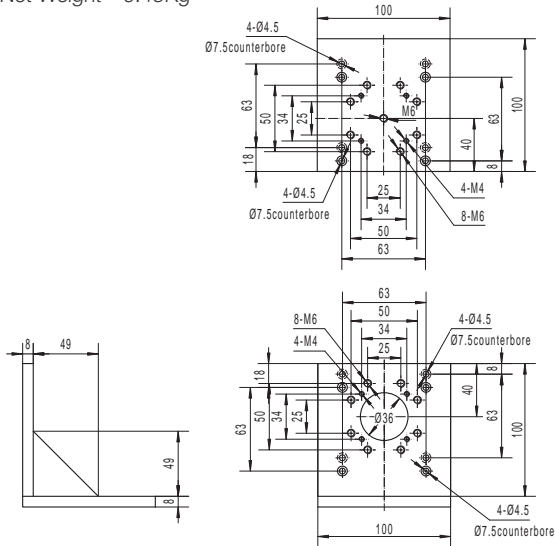
PHOB series right-angle brackets assist in creating sturdy three-dimensional optomechanical assemblies by orthogonal connection.

PHOB-1



Net Weight: 0.45Kg

Example:

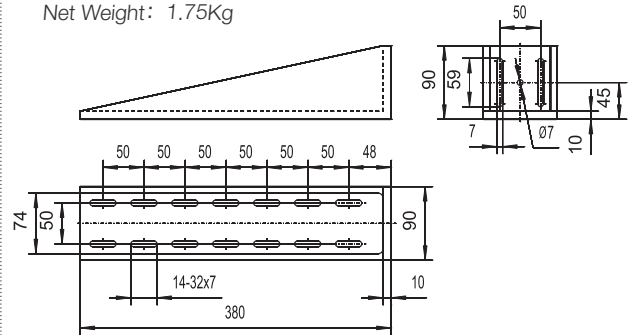


PHOB-2



Net Weight: 1.75Kg

Example:

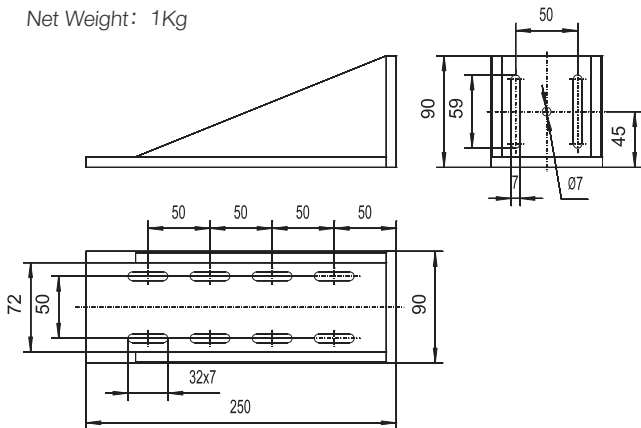


PHOB-3



Net Weight: 1Kg

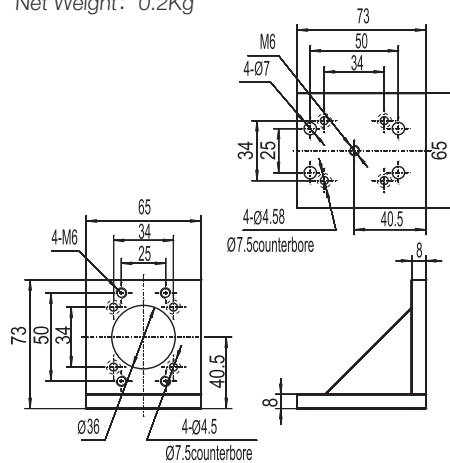
Example:



PHOB-4



Net Weight: 0.2Kg



Kinematic Lens Mount

Laser Mount

Kinematic Lens Mount

Kinematic Mount for Polarization Components

Filter Wheel and Filter Mount

Prism/Cylinder Kinematic Mount

Special Kinematic Mount

Spatial Filter

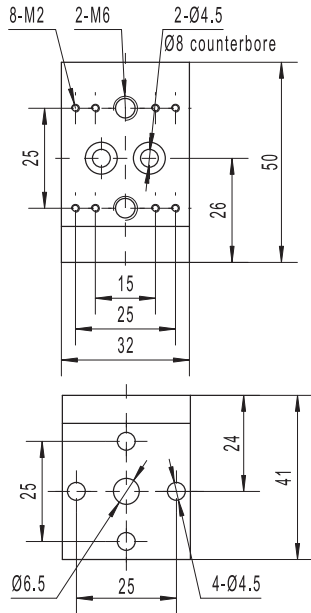
Post and Post Holder

Accessories

PHOB-5



Net Weight: 0.05Kg

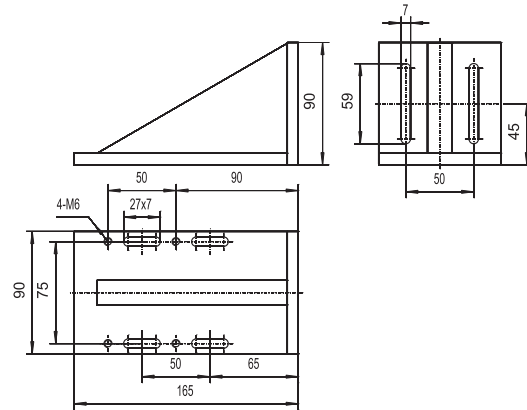


PHOB-6



Net Weight: 0.5Kg

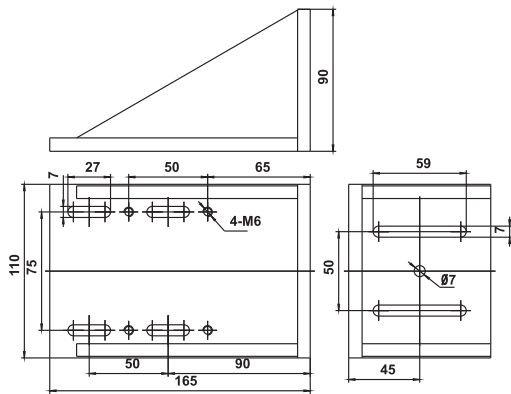
example:



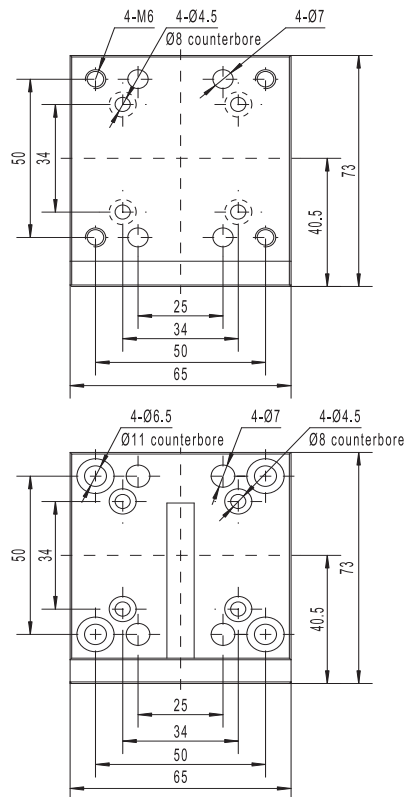
PHOB-7



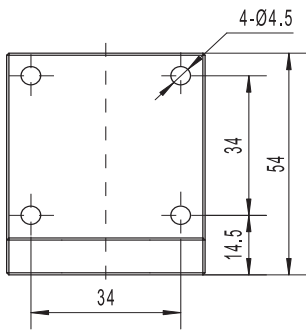
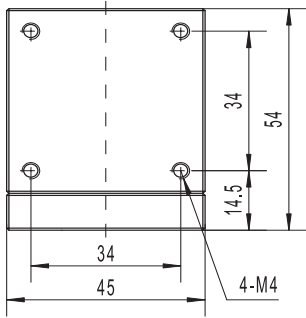
Design for minimize the eccentricity of gravity center from construct the 3D optomechanical assemblies



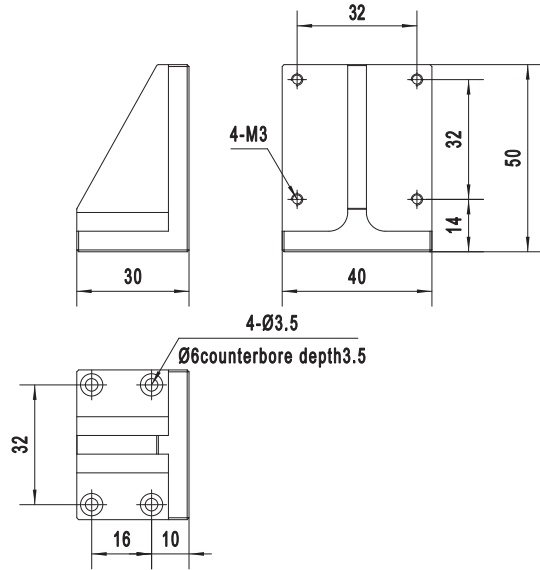
PHOB-8



PHOB-9



PHOB-10

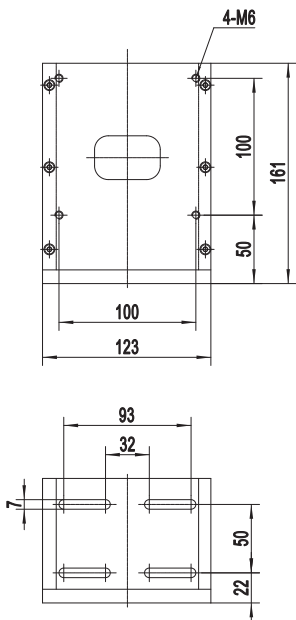


PHOB-11

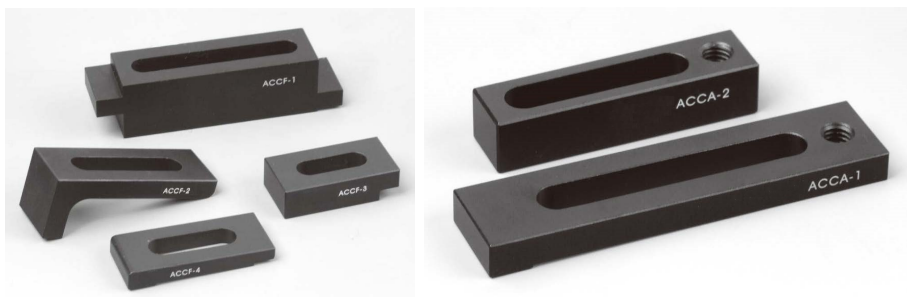


Related Products:

RAK100 use only



ACCA/ACCF series Table Clamp

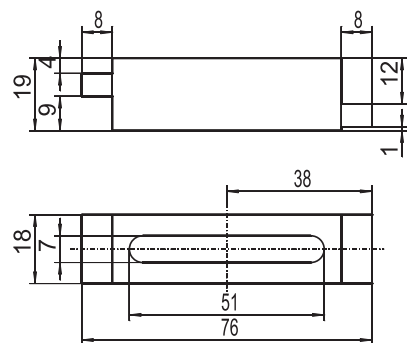


Brief Introduction:

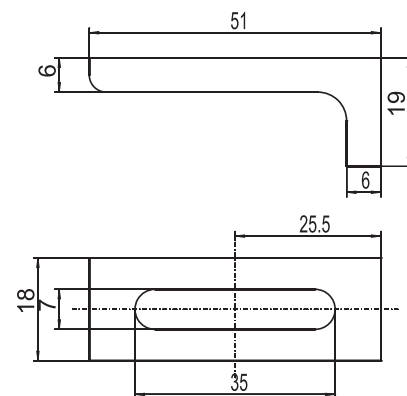
ACCF series table clamp can fix and lock optical and optomechanical components on any position of the optical table. It is convenient and reliable to move. ACCA series are height adjustable and more flexible to use.

Dimensions:

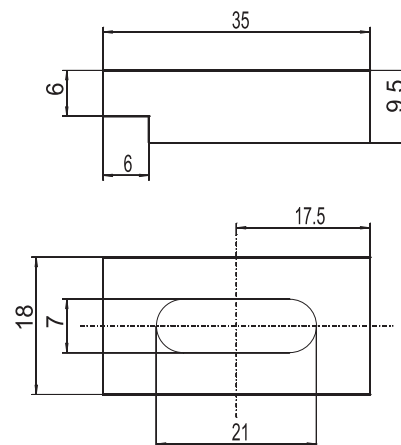
ACCF-1



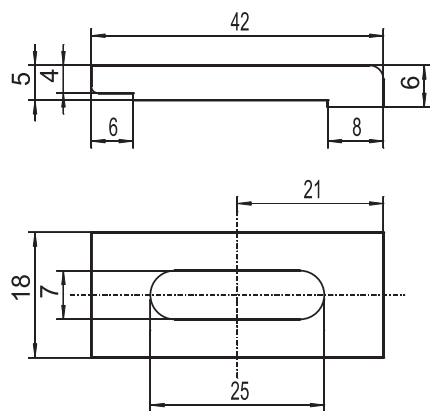
ACCF-2



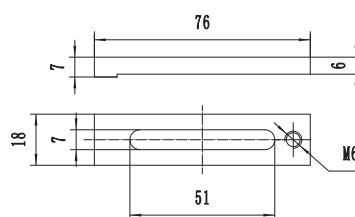
ACCF-3



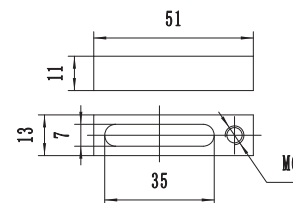
ACCF-4



ACCA-1



ACCA-2



ACS series Post Connection Screw



Note:

ACS: Without flange, stainless steel material.

ACSF: With flange, aluminium alloy material. M stands for male screw thread, F stands for female screw thread.

Selection Table:

M is Male, F is Female

Model	Name
ACS-M4-M4	M4-M4 Screw Thread Adapters (no flange)
ACS-M6-M6	M6-M6 Screw Thread Adapters (no flange)
ACS-M6-M4	M6-M4 Screw Thread Adapters (no flange)
ACS-F6-F4	F6-F4 Screw Thread Adapters
ACS-F6-F6.35	F6-F6.35(1/4") Screw Thread Adapters
ACSF-M6-M4	M6-M4 Screw Thread Adapters (with Flange)
ACSF-M6-M6	M6-M6 Screw Thread Adapters (with Flange)
ACSF-M4-M4	M4-M4 Screw Thread Adapters (with Flange)
ACSF-M6-M6.35	M6-M6.35(1/4") Screw Thread Adapters (with Flange)
ACSF-M9.525-M6.35	M9.525(3/8")-M6.35(1/4") Screw Thread Adapters (with Flange)